

160 Line Refrigerated Counter 160 lt - undercounter R600a

ITEM # _____

MODEL # _____

NAME # _____

SIS # _____

AIA # _____


727790 (RUCR16W16)

1-door Undercounter Refrigerator 160lt, +2/+10°C, prepainted white, R600a

Short Form Specification

Item No.

White painted reversible door with lock. Top in white ABS. White painted external sides. Interior in white High Impact Polystyrene with 30mm insulation. Inner cell with rounded corners. Door with removable "balloon" gasket. Built-in refrigeration unit; ventilated operating mode; automatic defrost; automatic evaporation of defrost water; electro-mechanical control; external digital temperature display; internal light. Temperature range +2°/+10° C at 43 °C ambient temperature. CFC and HCFC free insulation. R600a gas in refrigeration circuit. Gas in foam: Cyclopentane. IP23 protection.

Main Features

- Internal light and lockable door.
- Refrigerators models have operating temperatures that can be adjusted from +2 to +10 °C to suit both meat and dairy storage requirements.
- Very quiet operation: noise level less than 45 dB (A).
- Automatic defrost and automatic evaporation of defrost water.
- Shelf runners are thermoformed and are incorporated in the internal structure to be easily cleanable.
- Compact cooling unit easily accesible from the rear of the appliance.
- Model requires only 1 phase 230V supply and can be plugged straight into an existing power socket.
- Temperature display.

Construction

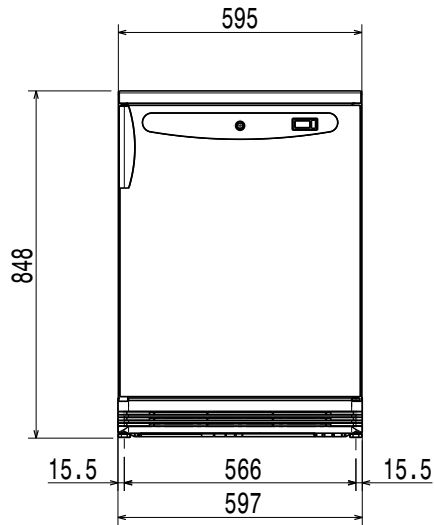
- Interior cell is completely in white High Impact Polystyrene and has no joints to eliminate dirt traps.
- IP23 protection index.
- Developed and produced in ISO 9001 and ISO 14001 certified factory.
- The rounded internal corners, the easily removable grids allow for ease of cleaning and high hygiene standards.
- 30 mm thick insulation with cyclopentane injection for long-term insulation and energy saving.
- Reversible door.
- Built-in refrigeration unit.
- CFC and HCFC free (ecological refrigerant type: R600a).

Optional Accessories

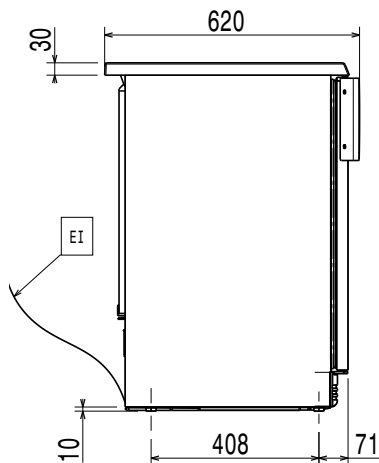
- Rear wheel kit for 160lt for freestanding refrigerator and freezer PNC 880143
- Stacking kit for 160lt undercounter white painted refrigerator PNC 880148

APPROVAL: _____

Front

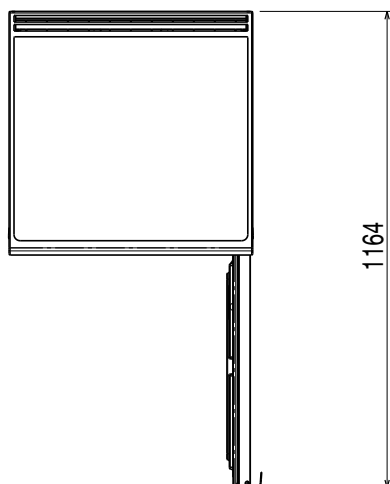


Side



EI = Electrical inlet (power)

Top



Electric

Supply voltage:	727790 (RUCR16W16)	220-240/1 ph/50 Hz
Electrical power max.:		0.11 kW

Key Information:

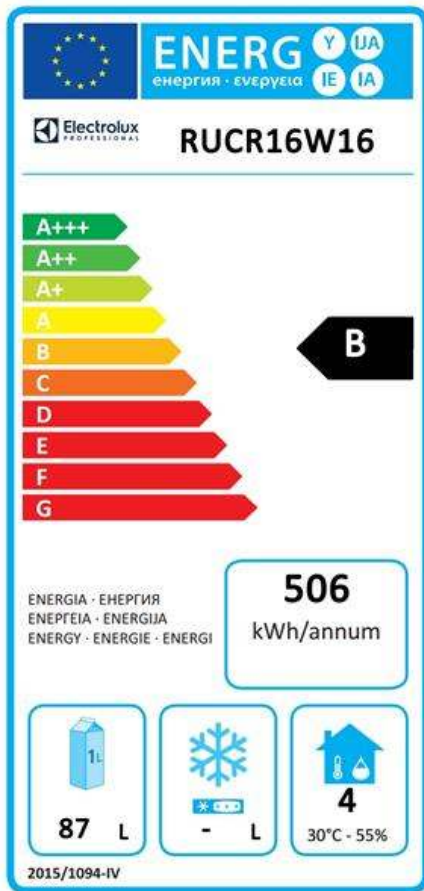
Gross capacity:	165 lt
Net Volume:	87 lt
Door hinges:	
External dimensions, Width:	600 mm
External dimensions, Height:	850 mm
External dimensions, Depth with Doors Open:	
Number and type of doors:	1 Full
Noise level:	49 dBA
Height adjustment:	0/10 mm
Number and type of grids (included):	3 -
External side panels:	Prepainted white
External top panels:	Plastic
External door material:	Prepainted white
	High Impact White
Internal panels material:	Polystyrene
Built-in Compressor and Refrigeration Unit	

Refrigeration Data

Control type:	Mechanical
Compressor power:	1/3 hp
Refrigerant type:	R600a
Refrigeration power:	168 W
Refrigeration power at evaporation temperature:	-12 °C
Refrigerant weight:	28 g
Operating temperature min.:	2 °C
Operating temperature max.:	10 °C
Operating mode:	Ventilated

Product Information (EU Regulation 2015/1094)

Energy Class:	B
Yearly and daily energy consumption:	506kWh/year - 1.39kWh/24h
Climate class:	Normal duty (cl.4)
Energy Efficiency Index (EEI):	25,15
Type of model:	counter chilled



EU energy labelling from 1st July 2016

The European energy labelling scheme for professional refrigerators and freezers is based on requirements setting Minimum Energy Performance standards for commercial refrigeration cabinets sold within the EU. These requirements are designed to drive energy efficiency and environmentally friendly approach for professionals. The European energy labelling scheme will apply to all manufacturers and importers who sell and market products within the EU and it is mandatory across Europe.

Important: all products which consume energy above the minimum level will not be able to be sold within the EU from 1 July 2016.