

Digital Cabinets 400lt Line Refrigerator 1 Glass Door - Stainless steel (R600a)

ITEM # _____

MODEL # _____

NAME # _____

SIS # _____

AIA # _____


730046 (R04PVG4)

 1-glass door Refrigerator
 400lt, 0+10°C, stainless steel,
 ventilated, R600a

Short Form Specification

Item No. _____

Exterior in stainless steel. Interior in white High Impact Polystyrene with rounded corners and 45mm thick insulation. Right hinged glass door with lock, reversible on-site. Built-in refrigeration unit; ventilated operating mode; automatic defrost and evaporation of defrost water; digital control and temperature display; internal lighting. For ambient temperatures up to 32 °C. HCFC, CFC and HFC free insulation and R600a refrigerant gas.

Main Features

- Digital control panel allowing the easy and precise setting and control of the internal temperature.
- Shelf runners are thermoformed and are incorporated in the internal structure to be easily cleanable.
- Model requires only 1 phase 230V supply and can be plugged straight into an existing power socket.
- Very quiet operation.
- Whole interior cell with rounded corners is white thermoformed polystyrene, which is impact resistant.
- No joints whatsoever to eliminate dirt traps.
- Simple refrigeration system easily accessible from the rear of the units.
- Fan assisted cooling for even temperature distribution.
- Model equipped with roll-bond plate that has a plate installed in the internal backside of the unit equipped with a special thermostat to avoid ice formation.
- Suitable for use in ambient temperatures of up to 32 °C.
- Connectivity ready for real time access to connected appliances from remote and data monitoring (requires optional accessory).

Construction

- Developed and produced in ISO 9001 and ISO 14001 certified factory.
- All models in range are finished in top quality materials to aid durability.
- CFC and HCFC free (ecological refrigerant type: R600a).

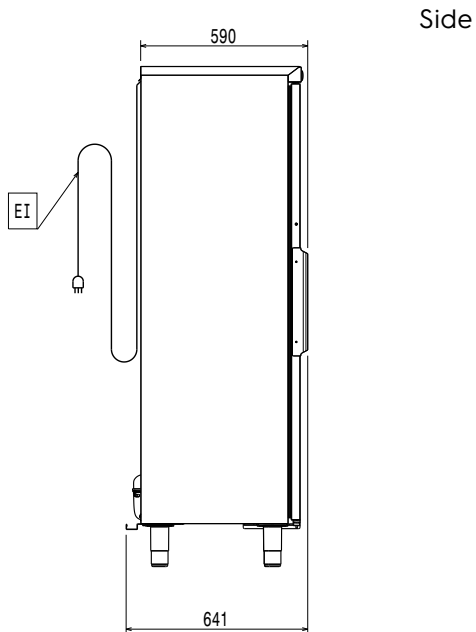
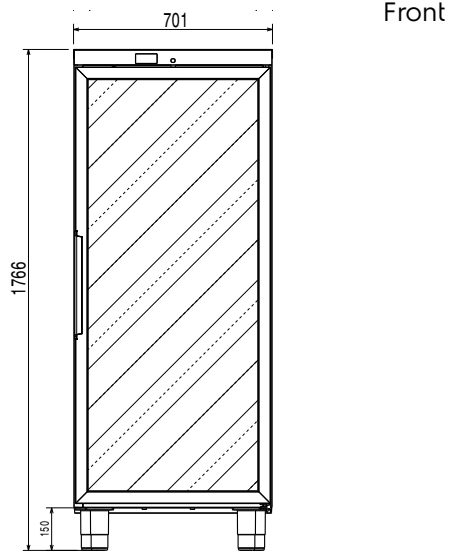
Included Accessories

- 2 of Pair of grids for 400lt refrigerator, white PNC 880292

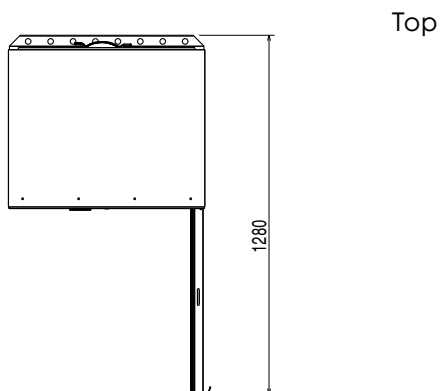
Optional Accessories

- Pair of grids for 400lt refrigerator, white PNC 880292
- Kit of wheels for 400lt refrigerators PNC 880348
- Pvc container with false bottom for 400lt PNC 881072

APPROVAL: _____



EI = Electrical inlet (power)



Electric

Supply voltage:
730046 (R04PVG4) 220-240/1 ph/50 Hz
Electrical power max.: 0.13 kW

Key Information:

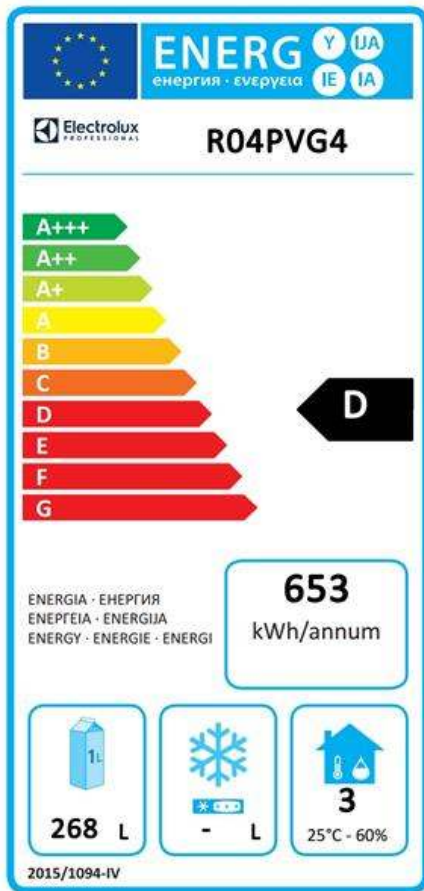
Gross capacity: 400 lt
 Net Volume: 268 lt
 Door hinges:
 External dimensions, Width: 701 mm
 External dimensions, Height: 1766 mm
 External dimensions, Depth with Doors Open: 1280 mm
 Noise level: 55 dBA
 Number and type of grids (included): 4 - 600x400
 Type of external material: Stainless Steel
 External door material: Glass
 Internal Light: X

Refrigeration Data

Control type: Digital
 Compressor power:
 Refrigerant type: R600a
 Refrigeration power: 253 W
 Refrigeration power at evaporation temperature: -10 °C
 Refrigerant weight: 100 g
 Min/Max internal humidity: 70%/85%
 Operating temperature min.: 0 °C
 Operating temperature max.: 10 °C
 Operating mode: Ventilated
 Cooling unit: Built-In
 Defrost type: Compressor off

Product Information (EU Regulation 2015/1094)

Energy Class: D
 Yearly and daily energy consumption: 653kWh/year - 1.79kWh/24h
 Climate class: Light Duty (cl.3)
 Energy Efficiency Index (EEI): 62,24
 Type of model: vertical chilled



EU energy labelling from 1st July 2016

The European energy labelling scheme for professional refrigerators and freezers is based on requirements setting Minimum Energy Performance standards for commercial refrigeration cabinets sold within the EU. These requirements are designed to drive energy efficiency and environmentally friendly approach for professionals. The European energy labelling scheme will apply to all manufacturers and importers who sell and market products within the EU and it is mandatory across Europe.

Important: all products which consume energy above the minimum level will not be able to be sold within the EU from 1 July 2016.