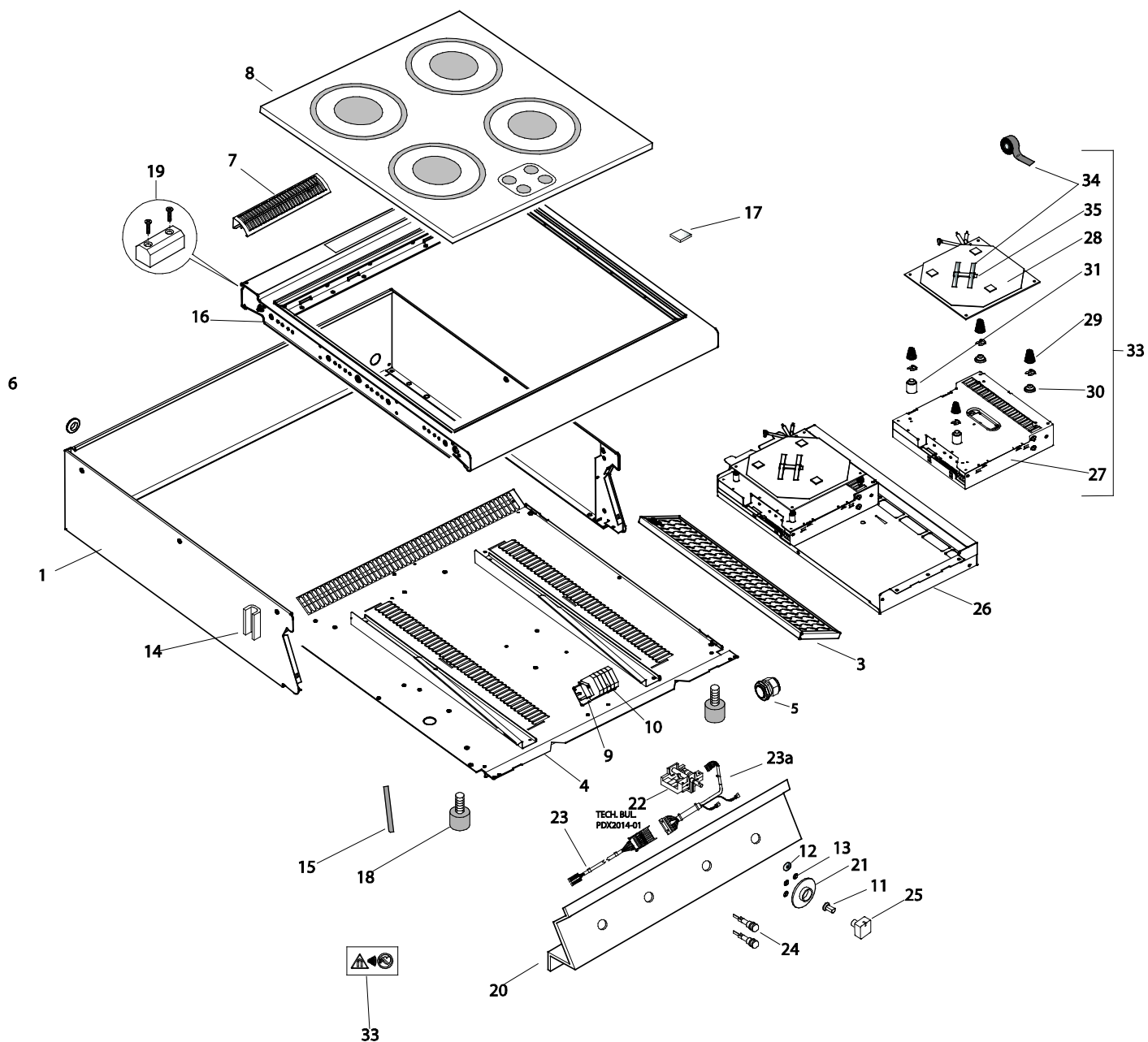


Untill sr. Nr / Fino a seriale Nr. 433

PNC	Model	Ref	Pag.	Brand	Version	Notes
371020	E7INED2000	a		ELX	EL	TOP 400 MM
371021	E7INEH4000	b		ELX	EL	TOP 800 MM
371131	E7INED200N	c		ELX	EL	TOP 400 MM-230V
371132	E7INEH400N	d		ELX	EL	TOP 800 MM-230V
371175	E7INED200P	e		ELX	EL	TOP HP 400 MM
371176	E7INEH400P	f		ELX	EL	TOP HP 800 MM
372020	Z7INED2000	g		ZAN	EL	TOP 400 MM
372021	Z7INEH4000	h		ZAN	EL	TOP 800 MM
372131	Z7INED200N	i		ZAN	EL	TOP 400 MM-230V
372132	Z7INEH400N	l		ZAN	EL	TOP 800 MM-230V
372175	Z7INED200P	m		ZAN	EL	TOP HP 400 MM
372176	Z7INEH400P	n		ZAN	EL	TOP HP 800 MM
373020	A7INED2000	o		OEM	EL	TOP 400 MM
373021	A7INEH4000	p		OEM	EL	TOP 800 MM
373131	A7INED200N	q		OEM	EL	TOP 400 MM-230V
373132	A7INEH400N	r		OEM	EL	TOP 800 MM-230V

Pag	Index	Indice	Note
2	General componets	Componenti struttura	For appliances manufactured after 433 refer to spc 59785TD00 . This spc is related to appliances manufactured Untill sr. Nr / Fino a seriale Nr. 433
3,4	Spare parts list	Lista ricambi	

Brand/Marchio: All
 Factory code: 9PDX



**INDUZIONE TOP E700XP
INDUCTION COOKING TOP E700XP**

Art.	Factory Code	Spare Code	Descrizione	Description	Ref./Note
1	85089F700	*	FASCIA	PANEL	ELX
1	85089F800	*	FASCIA	PANEL	ELX
1	85089FA00	*	FASCIA	PANEL	ZAN, OEM
1	85089FB00	*	FASCIA	PANEL	ZAN, OEM
2					
3	800837H00		FILTRO	FILTER	
4	50389Q300	*	FONDO INDUZIONE 400mm	BOTTOM PANEL 400mm	400
4	50389Q400	*	FONDO INDUZIONE 800mm	BOTTOM PANEL 800mm	800
5	544802400	0C3528	PASSACAVO	CABLE LEAD	
6	246530100	005382	PASSACAVO DIAM 22	CABLE LEAD D2,2	
7	50389LP00	0C7333	GRIGLIA CAMINO	GRATE FOR CHIMNEY	
8	574820400	0C7188	VETROCERAMICA INDUZIONE 400	GLASS TOP 400mm	400
8	574820300	0C7866	VETROCERAMICA INDUZIONE 800	GLASS TOP 800mm	800
9	639808600	0F0112	MORSETTIERA	MAIN TERMINAL BLOCK	800
9	639805001	059239	MORSETTIERA	MAIN TERMINAL BLOCK	400
10	532843700	*	SUPPORTO MORSETTIERA	MAIN TERMINAL BLOCK, SUPPORT	
11	548877V00	0C7345	ADATTATORE MANOPOLA	KNOB ADAPTER	
12	541813800	0C6171	RONDELLA SILICONE	SILICONE WASHER	
13	218912211	069567	PIASTRINA PER GHIERA	PLATE FOR KNOB RING	
14	527850500	0C0156	RINFORZO FISSAGGIO FIANCHI	SIDE PANEL JOINTING PLATE	
15	543821900	0C2496	GUARNIZIONE PER CRUSCOTTO	GASKET, CONTROL PANEL	
16	87089B900	0C7216	RIPIANO INDUZIONE 400mm	TABLE TOP 400mm	ELX
16	87089BA00	0C7872	RIPIANO INDUZIONE 800mm	TABLE TOP 800mm	ELX
16	87089BF00	0C7654	RIPIANO INDUZIONE 400mm	TABLE TOP 400mm	ZAN, OEM
16	87089BG00	0C7655	RIPIANO INDUZIONE 800mm	TABLE TOP 800mm	ZAN, OEM
17	546810400	0C0069	DISTANZIALE PER VETROCERAMICA	SPACERS FOR GLASS	
18	315252601	026806	PIEDINO CON VITE	SCREW FOOT FOR TOP	
19	516860702	0C0137	PIASTRINA POSTERIORE	JOINTING REAR PLATE	
20	85089AZ00	0C7201	CRUSCOTTO INDUZIONE 400mm	CONTROL PANEL 400mm	ELX
20	85589A500	0C7210	CRUSCOTTO INDUZIONE 800mm	CONTROL PANEL 800mm	ELX
20	85089FU00	0C7645	CRUSCOTTO INDUZIONE 400mm	CONTROL PANEL 400mm	ZAN
20	85089FV00	0C7646	CRUSCOTTO INDUZIONE 800mm	CONTROL PANEL 800mm	ZAN
20	50389LJ00	*	CRUSCOTTO INDUZIONE 400mm	CONTROL PANEL 400mm	OEM
20	50389LK00	*	CRUSCOTTO INDUZIONE 800mm	CONTROL PANEL 800mm	OEM
21	548877C00	0C7176	GHIERA INDUZ ANTERIORE	KNOB RING, FRONTAL INDUCTION	ELX
21	548877D00	0C7176	GHIERA INDUZ POTERIORE	KNOB RING, REAR INDUCTION	ELX
21	548879K00	0C7177	GHIERA INDUZ ANTERIORE	KNOB RING, FRONTAL INDUCTION	ZAN, OEM
21	548879L00	0C7639	GHIERA INDUZ POTERIORE	KNOB RING, REAR INDUCTION	ZAN, OEM
22	641804000	0K1631	COMMUTATORE	SELECTOR	TECH. BUL.PDX2014-01
23	633831300	0C3978	CAVETTI GENERATORE	CABLE, GENERATOR	TECH. BUL.PDX2014-01
23a	*	0G5277	CAVETTI COMMUTATORE	CABLE, SELECTOR	TECH. BUL.PDX2014-01
24	660808200	0C4000	LUCE VERDE	GREEN LAMP	TECH. BUL.PDX2014-01
24	660808100	0C3999	LUCE ROSSA	RED LAMP	TECH. BUL.PDX2014-01
*	831840200	0C6109	KIT COMMUTATORE	KIT COMUTATOR	TECH. BUL.PDX2014-01
25	511850G01	0C6670	MANOPOLA	KNOB	ELX
25	548878201	0C7232	MANOPOLA	KNOB	ZAN
25	548865500	0A5621	MANOPOLA	KNOB	OEM
26	50489H800	*	SUPPORTO GENERATORI	GENERATOR SUPPORT	
27	875899Y00	0C7642	INVERTER ATICS 3,5KW 230V	INVERTER ATICS 3,5KW 230V	3,5KW ; a,b,c,d,g,h,i,l,o,p,q,r
27	873879802	0C7867	INVERTER ATICS 5KW 400V	INVERTER ATICS 5KW 400V	5 kW ; e,f,m,n
28	83089FK00	0C7643	BOBINA ATICS	COIL ATICS	3,5KW ;a,b,c,d,g,h,i,l,o,p,q,r
28	830897601	0C0027	BOBINA ATICS	COIL ATICS	5 kW ; e,f,m,n
29	516892500	0C4002	MOLLA PER INDUTTORE ATICS	INDUCTION SPRING	
30	516892300	0C4003	PERNO CORTO ATICS	SHORT PIN ACTIS	

INDUZIONE TOP E700XP					
INDUCTION COOKING TOP E700XP					
Art.	Factory Code	Spare Code	Descrizione	Description	Ref./Note
31	516892400	0C4004	PERNO LUNGO ATICS	LONG PIN ACTIS	
32	598849200	0C0024	TARGHETTA PACE MAKER	PACEMAKER STICKER	
33	83089G500	0C8305	KIT COMPLETO ATICS	COMPLETE KIT ATICS	5KW ; Art. 27+28+29 +30+31+34+35 e,f,m,n
33	83089DZ00	0C8303	KIT COMPLETO ATICS	COMPLETE KIT ATICS	3,5KW ; Art. 27+28+29 +30+31+34+35 ; a,b,c,d,g,h,i,l,o,p,q,r
34	*	0G3527	NASTRO SPECIFICO FISS. SONDA	SPECIAL TAPE FOR PROBE FIX	HIGHT TEMP
35	*	0K4302	SONDA TEMPERATURA	TEMP PROBE	49 Cm , PT1000
*	0151098052	088314	DETERGENTE REINIGER	CLEANER REINEGER	
*	0147098057	088313	PRIMER 1015 PACTAN	PRIMER 1015 PACTAN	
*	0147098057	088313	SILICONE	SILICONE	