

COMBINED SLICER - CUTTER TRK1

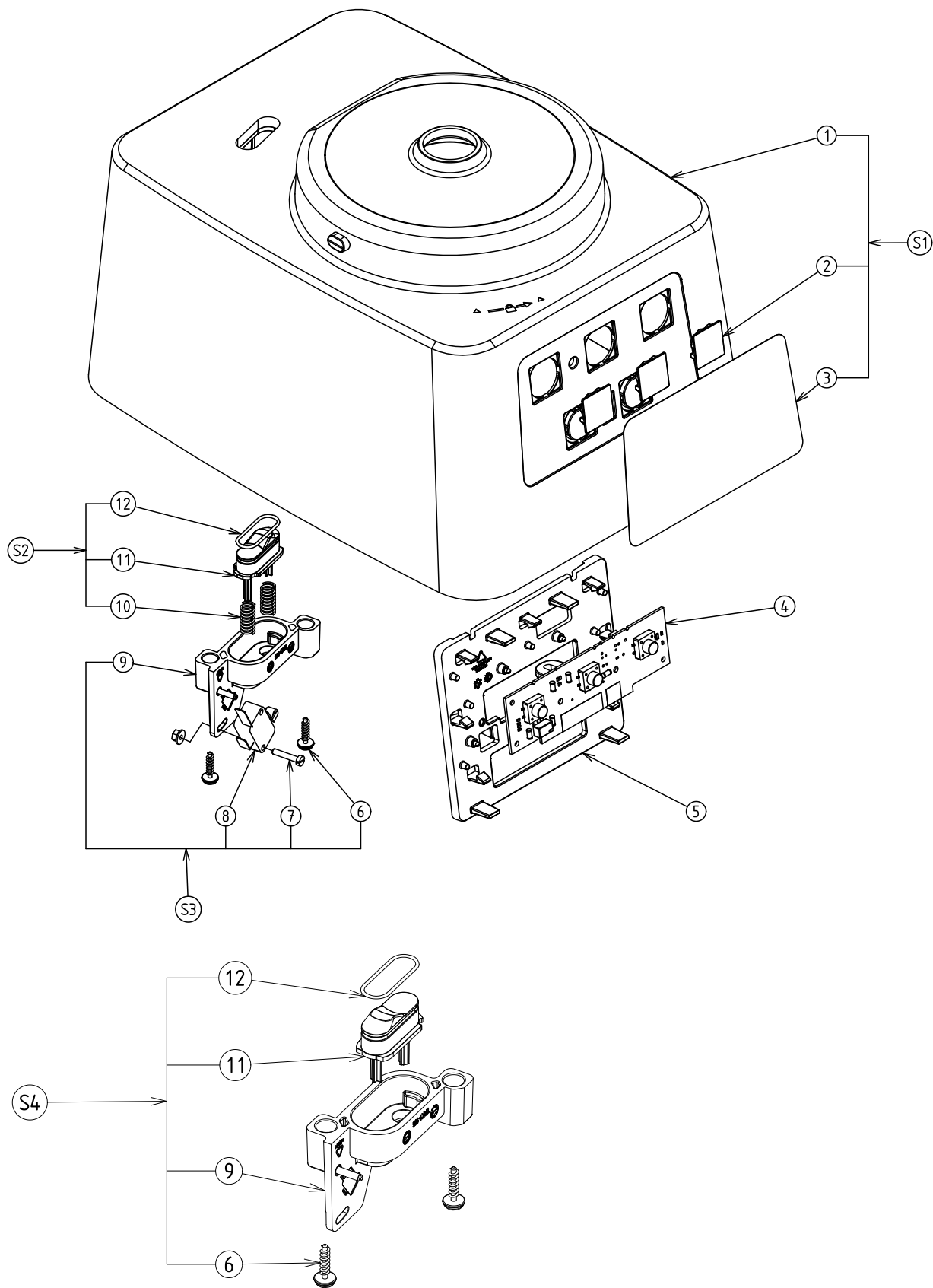
| PNC | MODEL | DESCRIPTION | NOTES |
|--------|-----------|---|------------------|
| 600974 | DCOM26 | Combined vegetable slicer/cutter 2.6lt stainless steel bowl | A/D/H/J |
| 600975 | DCOM26D | Combined vegetable slicer/cutter 2.6lt stainless steel bowl, 3 disc set | A/D/H/J/L |
| 600976 | DCOM26P | Combined vegetable slicer/cutter 2.6lt plastic bowl | A/D/H/I |
| 600977 | DCOM26PD | Combined vegetable slicer/cutter 2.6lt plastic bowl, 3 disc set | A/D/H/I/L |
| 600978 | DCOM26G | Combined vegetable slicer/cutter 2.6lt stainless steel bowl UK, 3 disc set | A/D/H/J/L |
| 600979 | DCOM26VS | Combined vegetable slicer/cutter 2.6lt stainless steel bowl variable speed | A/G/H/J |
| 600980 | DCOM26VSG | Combined vegetable slicer/cutter 2.6lt stainless steel bowl variable speed UK | A/G/H/J |
| 602152 | COM26 | Combined vegetable slicer/cutter 2.6lt stainless steel bowl, 3 disc set | B/D/H/J/L |
| 602153 | COM26P | Combined vegetable slicer/cutter 2.6lt plastic bowl, 3 disc set | C/D/H/I/L |
| 602154 | COM26AU | Combined vegetable slicer/cutter 2.6lt stainless steel bowl, 3 disc set AUS | B/D/H/J/L |
| 602155 | COM26G | Combined vegetable slicer/cutter 2.6lt stainless steel bowl, 3 disc set UK | B/D/H/J/L |
| 602156 | COM26PUS | Combined vegetable slicer/cutter 2.6lt plastic bowl, 2 disc set USA | C/E/H/I/M |
| 602157 | COM26US | Combined vegetable slicer/cutter 2.6lt stainless steel bowl, 2 disc set USA | B/F/H/J/M |
| 602158 | COM26VS | Combined vegetable slicer/cutter 2.6lt stainless steel bowl, 3 disc set variable speed | B/G/H/J/L |
| 602159 | COM26VSG | Combined vegetable slicer/cutter 2.6lt stainless steel bowl, 3 disc set variable speed UK | B/G/H/J/L |
| 600981 | DCOM36 | Combined vegetable slicer/cutter 3.6lt stainless steel bowl | A/D/H/K |
| 600982 | DCOM36D | Combined vegetable slicer/cutter 3.6lt stainless steel bowl, 3 disc set | A/D/H/K/L |
| 600983 | DCOM36G | Combined vegetable slicer/cutter 3.6lt stainless steel bowl UK, 3 disc set | A/D/H/K/L |
| 600984 | DCOM36VS | Combined vegetable slicer/cutter 3.6lt stainless steel bowl variable speed | A/G/H/K |
| 600985 | DCOM36VSG | Combined vegetable slicer/cutter 3.6lt stainless steel bowl variable speed UK | A/G/H/K |
| 602160 | COM36 | Combined vegetable slicer/cutter 3.6lt stainless steel bowl | B/D/H/K |
| 602161 | COM36US | Combined vegetable slicer/cutter 3.6lt stainless steel bowl, 2 disc set USA | B/F/H/K/M |
| 602162 | COM36G | Combined vegetable slicer/cutter 3.6lt stainless steel bowl UK | B/D/H/K |
| 602163 | COM36AU | Combined vegetable slicer/cutter 3.6lt stainless steel bowl AUS | B/D/H/K |
| 602164 | COM36VS | Combined vegetable slicer/cutter 3.6lt stainless steel bowl variable speed | B/G/H/K |
| 602165 | COM36VSG | Combined vegetable slicer/cutter 3.6lt stainless steel bowl variable speed UK | B/G/H/K |
| | | | |
| | | | |
| | | | |
| | | | |
| | | | |
| | | | |
| | | | |
| | | | |
| | | | |
| | | | |

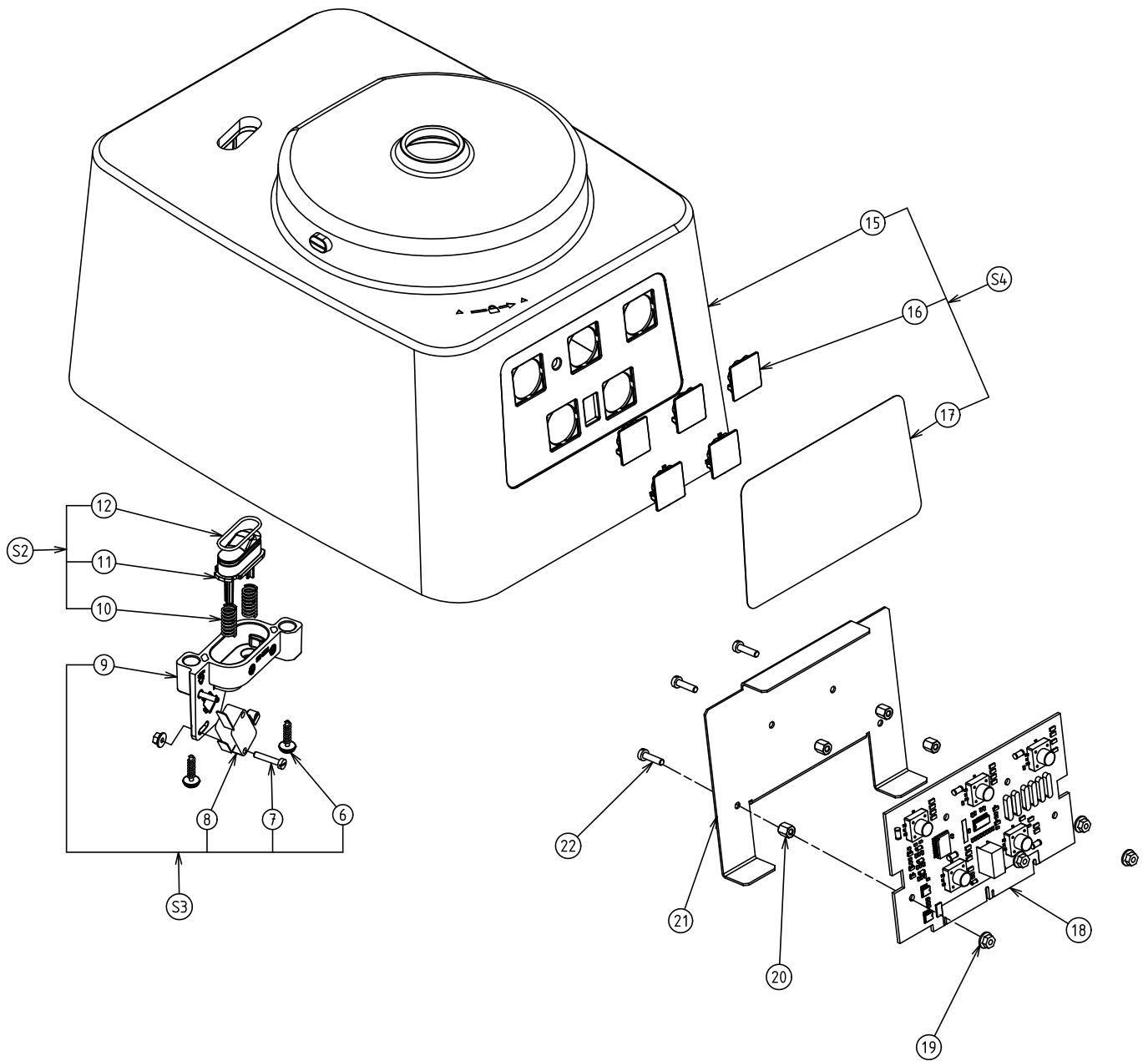
COMBINED SLICER - CUTTER TRK1

| PNC | MODEL | DESCRIPTION | NOTES |
|--------|---------|---|--------------|
| 600959 | K26 | Cutter mixer 2.6lt stainless steel bowl | A/D/J |
| 600960 | K26P | Cutter mixer 2.6lt plastic bowl | A/D/I |
| 600961 | DK26G | Cutter mixer 2.6lt stainless steel bowl UK | A/D/J |
| 600962 | DK26VS | Cutter mixer 2.6lt stainless steel bowl variable speed | A/G/J |
| 600963 | DK26VSG | Cutter mixer 2.6lt stainless steel bowl variable speed UK | A/G/J |
| 600986 | K26 | Cutter mixer 2.6lt stainless steel bowl | B/D/J |
| 600987 | K26P | Cutter mixer 2.6lt plastic bowl | C/D/I |
| 600988 | K26AU | Cutter mixer 2.6lt stainless steel bowl AUS | B/D/J |
| 600989 | K26G | Cutter mixer 2.6lt stainless steel bowl variable speed UK | B/D/J |
| 600990 | K26US | Cutter mixer 2.6lt stainless steel bowl USA | B/E/J |
| 600991 | K26PUS | Cutter mixer 2.6lt plastic bowl USA | C/E/I |
| 600992 | K26VS | Cutter mixer 2.6lt stainless steel bowl variable speed | B/G/J |
| 600993 | K26VSG | Cutter mixer 2.6lt stainless steel bowl UK | B/G/J |
| 600965 | DK36 | Cutter mixer 3.6lt stainless steel bowl | A/D/K |
| 600966 | DK36G | Cutter mixer 3.6lt stainless steel bowl UK | A/D/K |
| 600967 | DK36VS | Cutter mixer 3.6lt stainless steel bowl variable speed | A/G/K |
| 600968 | DK36VSG | Cutter mixer 3.6lt stainless steel bowl variable speed UK | A/G/K |
| 600996 | K36 | Cutter mixer 3.6lt stainless steel bowl | B/D/K |
| 600997 | K36AU | Cutter mixer 3.6lt stainless steel bowl AUS | B/D/K |
| 600998 | K36G | Cutter mixer 3.6lt stainless steel bowl UK | B/D/K |
| 600999 | K36US | Cutter mixer 3.6lt stainless steel bowl USA | B/F/K |
| 602143 | K36V | Cutter mixer 3.6lt stainless steel bowl variable speed | B/G/K |
| 602144 | K36VSG | Cutter mixer 3.6lt variable speed UK | B/G/K |
| | | | |
| | | | |
| | | | |
| | | | |
| | | | |
| | | | |

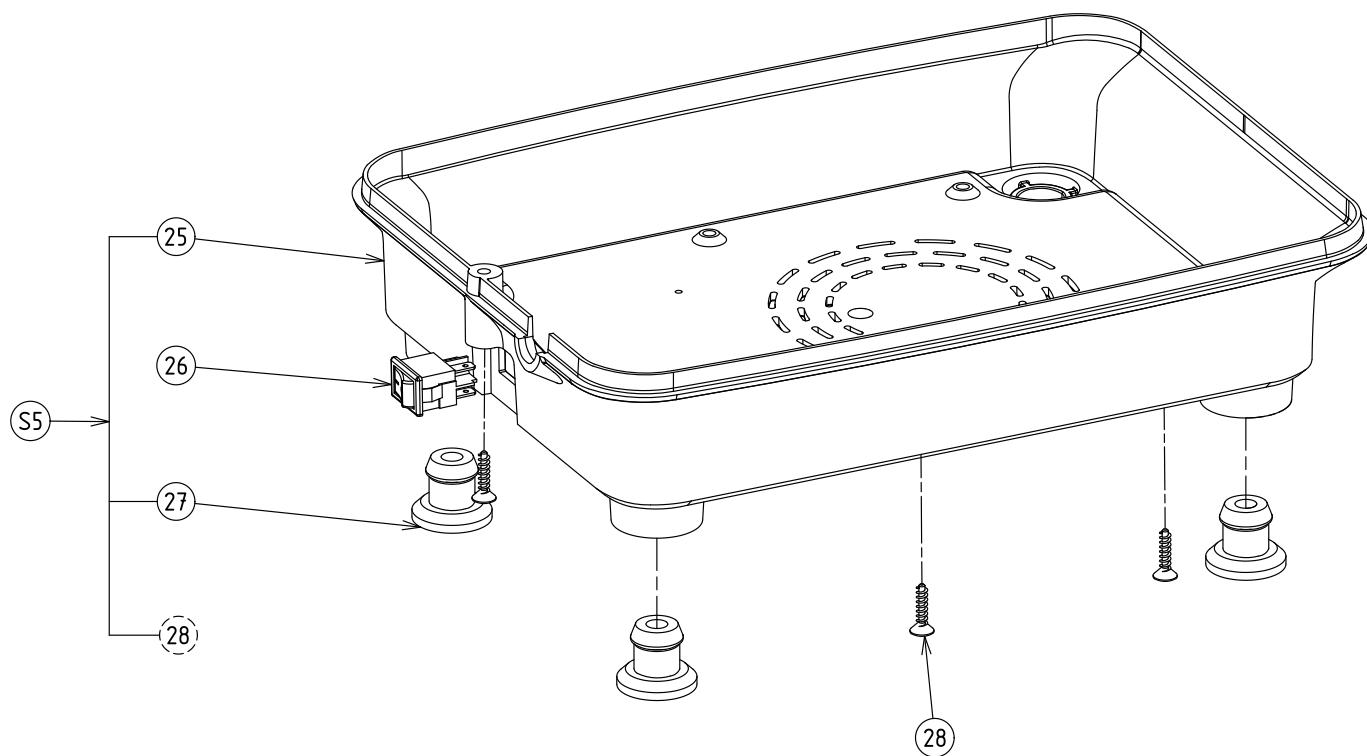
COMBINED SLICER - CUTTER TRK1

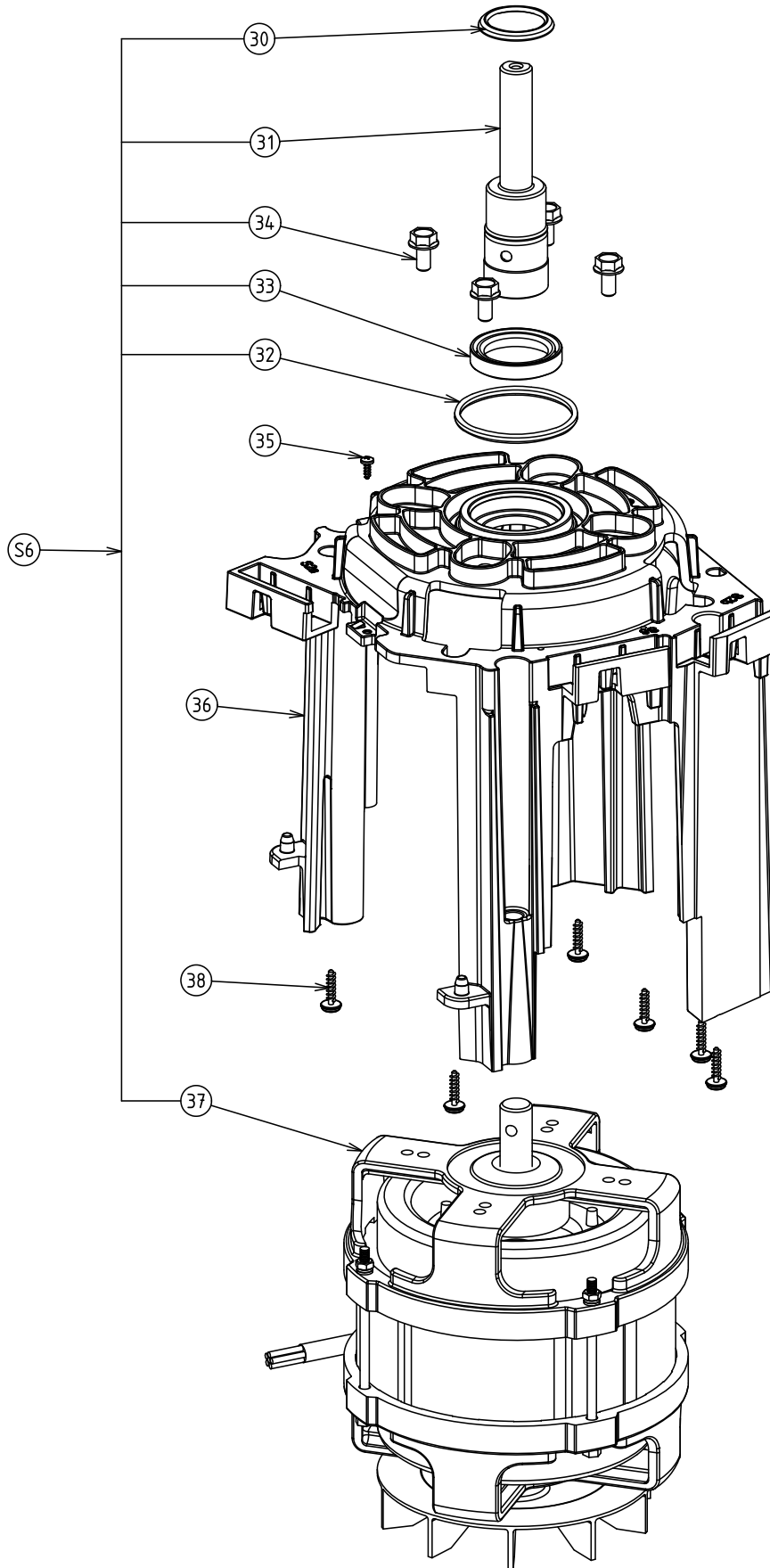
| | |
|----------|---|
| A | Brand DITO SAMA |
| B | Brand ELECTROLUX Professional metallic painted base |
| C | Brand ELECTROLUX Professional dark grey motor base |
| D | 1 Speed 220-240V 50HZ |
| E | 1 Speed 115V 60HZ 750W |
| F | 1 Speed 115V 60HZ 1000W |
| G | Variable speed 220-240V 50/60HZ |
| H | Vegetable slicer |
| I | 2.6lt plastic cutter mixer bowl |
| J | 2.6lt stainless steel cutter mixer bowl |
| K | 3.6lt stainless steel cutter mixer bowl |
| L | 3 disc set |
| M | 2 disc set |
| | |

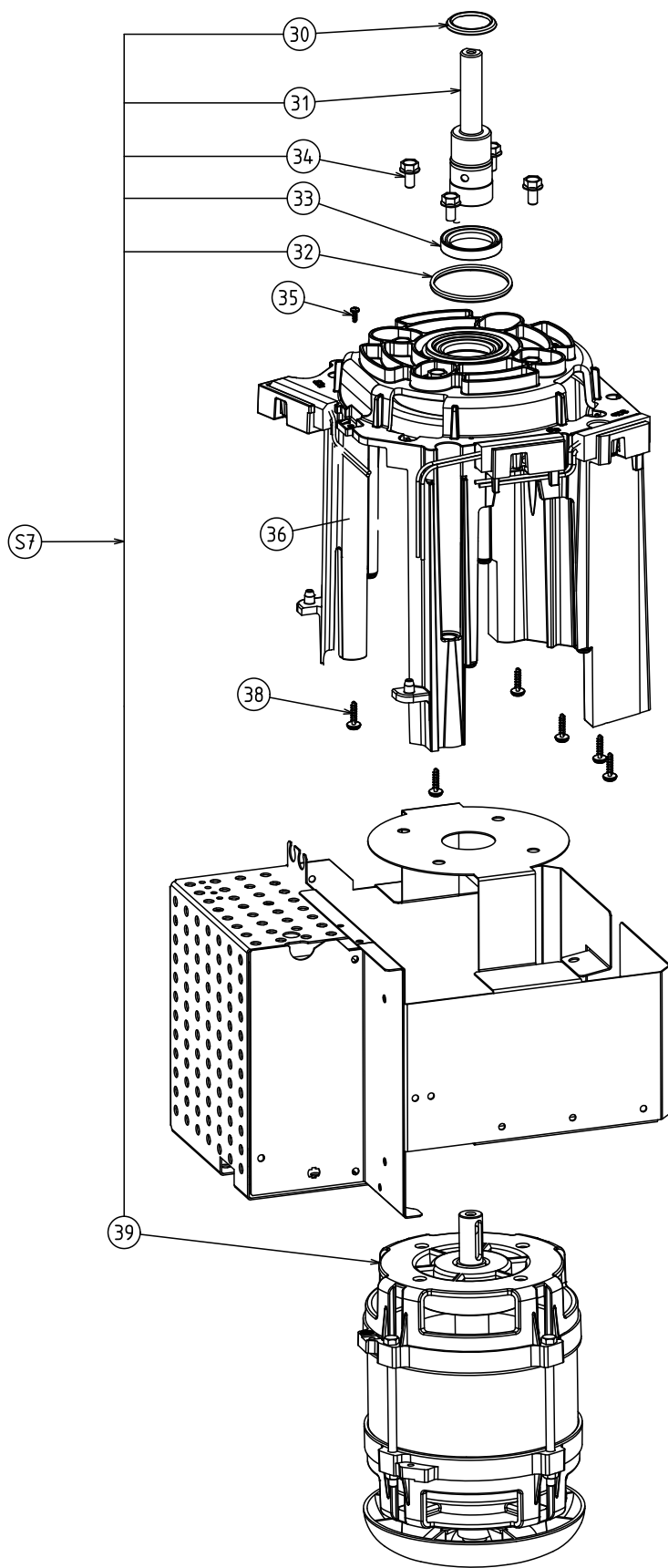




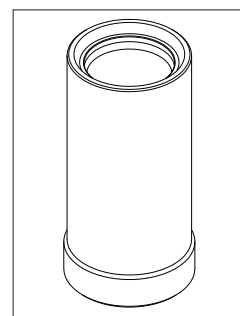
| Rep. | Code / Part n° | Désignation | Description | Notes |
|-----------|----------------|-------------------------------|---------------------------------|------------|
| 15 | voir S4 | Corps | Body | |
| 16 | voir S4 | Bouton de commande | Bouton de commande | |
| 17 | 0D8098 | Tableau de bord Dito Sama vv | Variable speed label Dito Sama | A/G |
| | 0D8100 | Tableau de bord Electrolux vv | Variable speed label Electrolux | B/G |
| 18 | 0D8065 | Carte de commande vv | Variable speed control board | G |
| 21 | 0D8244 | Support carte commande | Control card support | G |
| 22 | 0D5308 | Vis TC M3x12 (j x 10) | Screw TC M3x12 (set x 10) | |
| 20 | 0D8245 | Entretoise M3x6 (j x 10) | Spacer M3x6 (set x 10) | |
| 19 | 0D7383 | Ecrou M3 (j x 10) | Nut M3 (set x 10) | |
| 6 | 0D8077 | Vis torx 40x16 (j x 10) | Screw torx 40x16 (set x10) | |
| 7 | 0KQ511 | Vis TC M3x16 (j x 10) | Screw TC M3x16 (set x10) | |
| | 0D7383 | Ecrou M3 (j x 10) | Nut M3 (set x 10) | |
| 8 | 0KQ305 | Microrupteur | Micro switch | |
| 9 | voir S3 | Support micro | Micro switch support | |
| 10 | voir S2 | Ressort | Spring | |
| 11 | voir S2 | Poussoir de sécurité | Safety push | |
| 12 | 0D8101 | Joint torique 21x1.5 (j x 10) | O-ring 21x1.5 (set x10) | |
| | | | | |
| S4 | 0D8103 | Corps éq. vv Electrolux | Body vv Electrolux assembly | B/G |
| | 0D8107 | Corps éq. vv Dito Sama | Body vv Dito Sama assembly | A/G |
| S2 | 0D8057 | Poussoir sécurité éq. | Safety push assembly | |
| S3 | 0D8058 | Support micro éq. | Micro switch support assembly | |
| | | | | |
| | | | | |
| | | | | |
| | | | | |
| | | | | |
| | | | | |
| | | | | |
| | | | | |
| | | | | |
| | | | | |

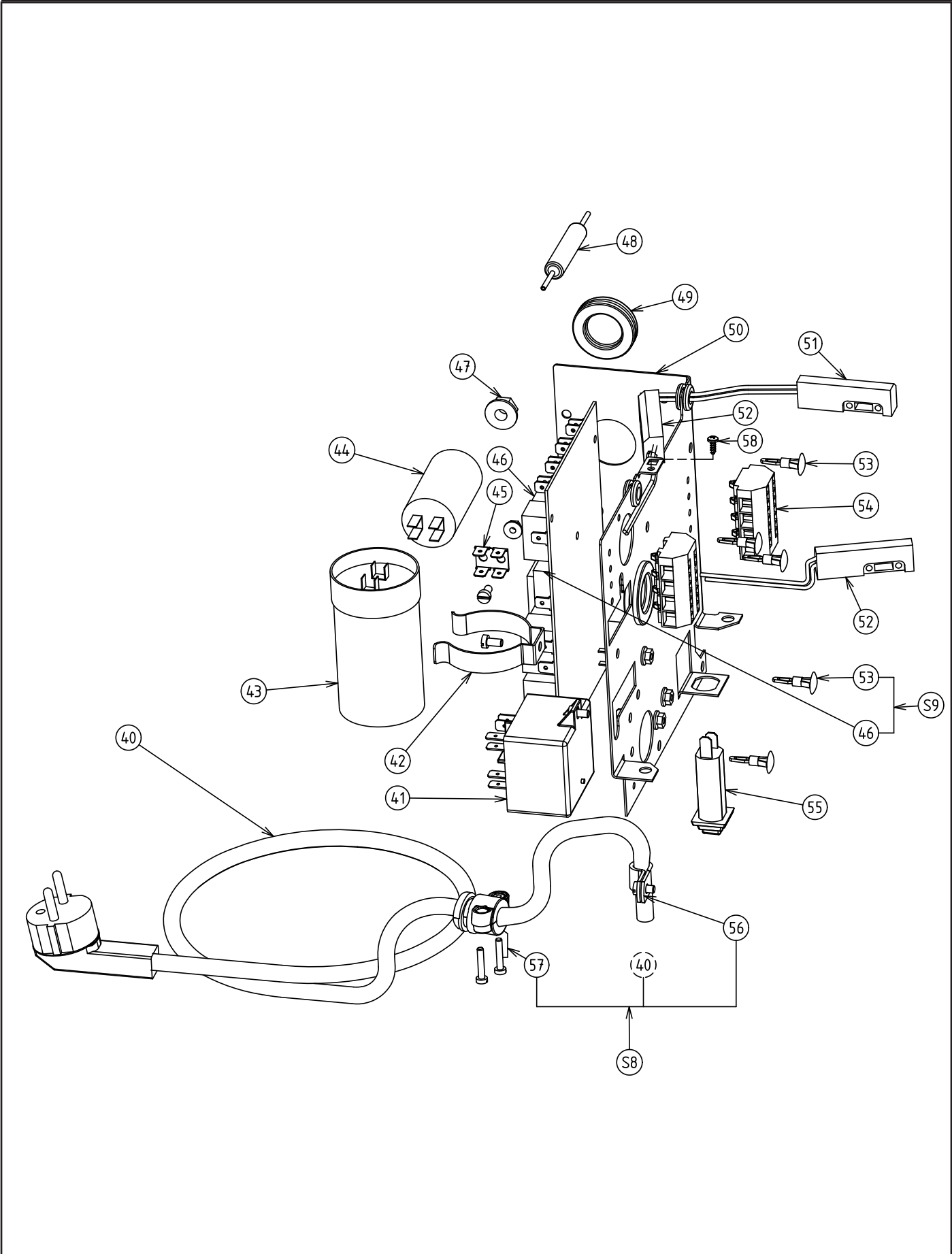




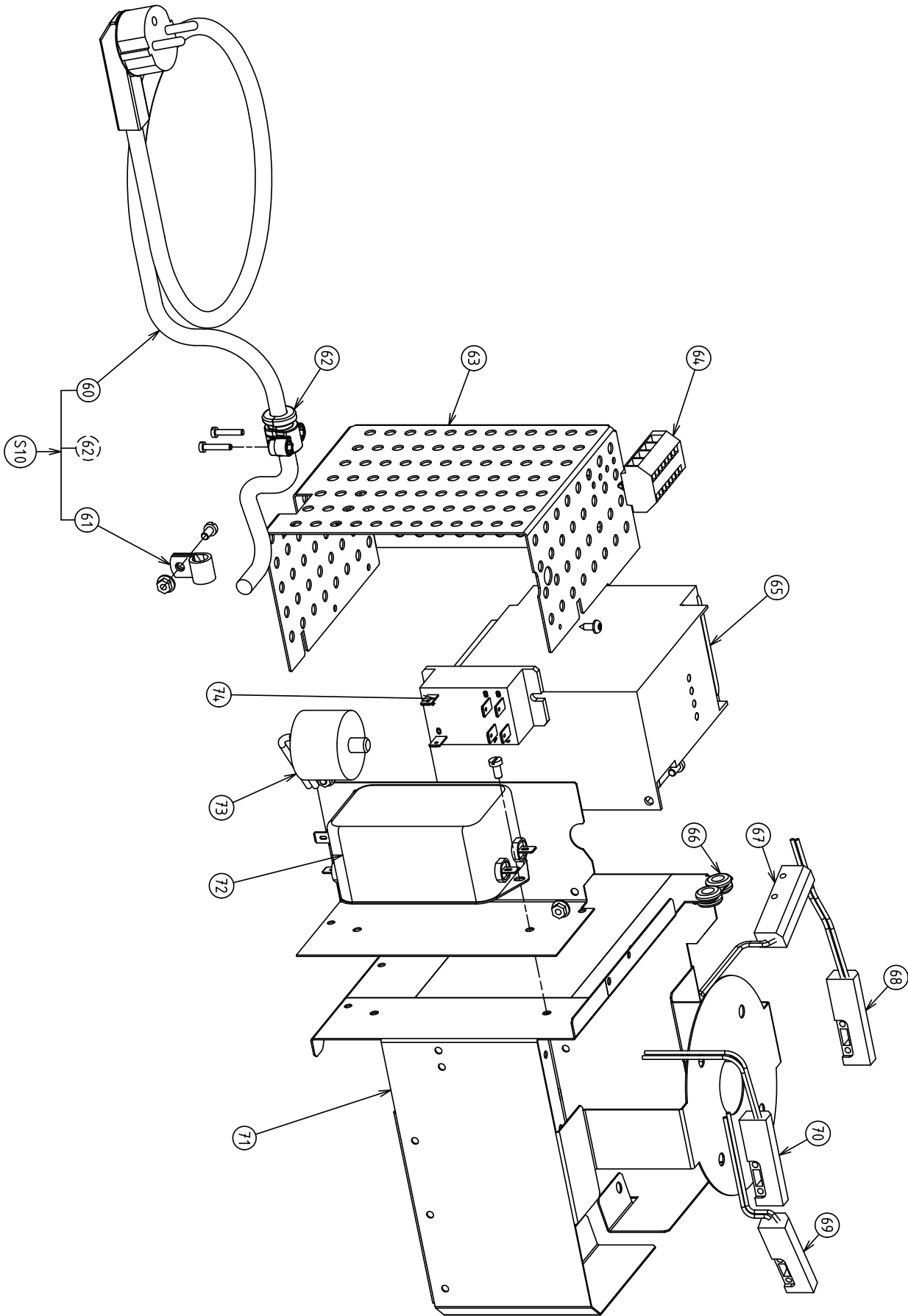


0D8082

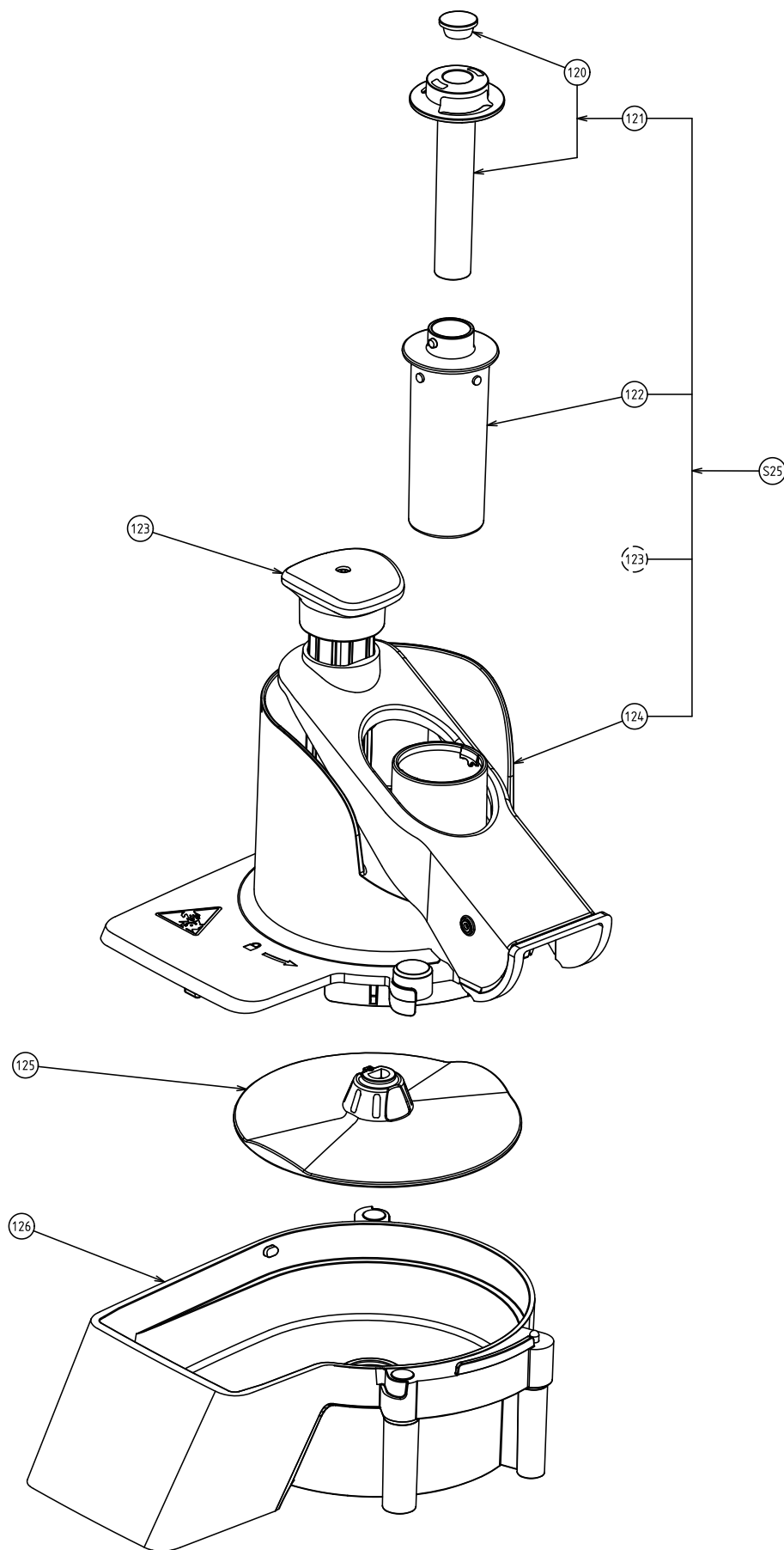


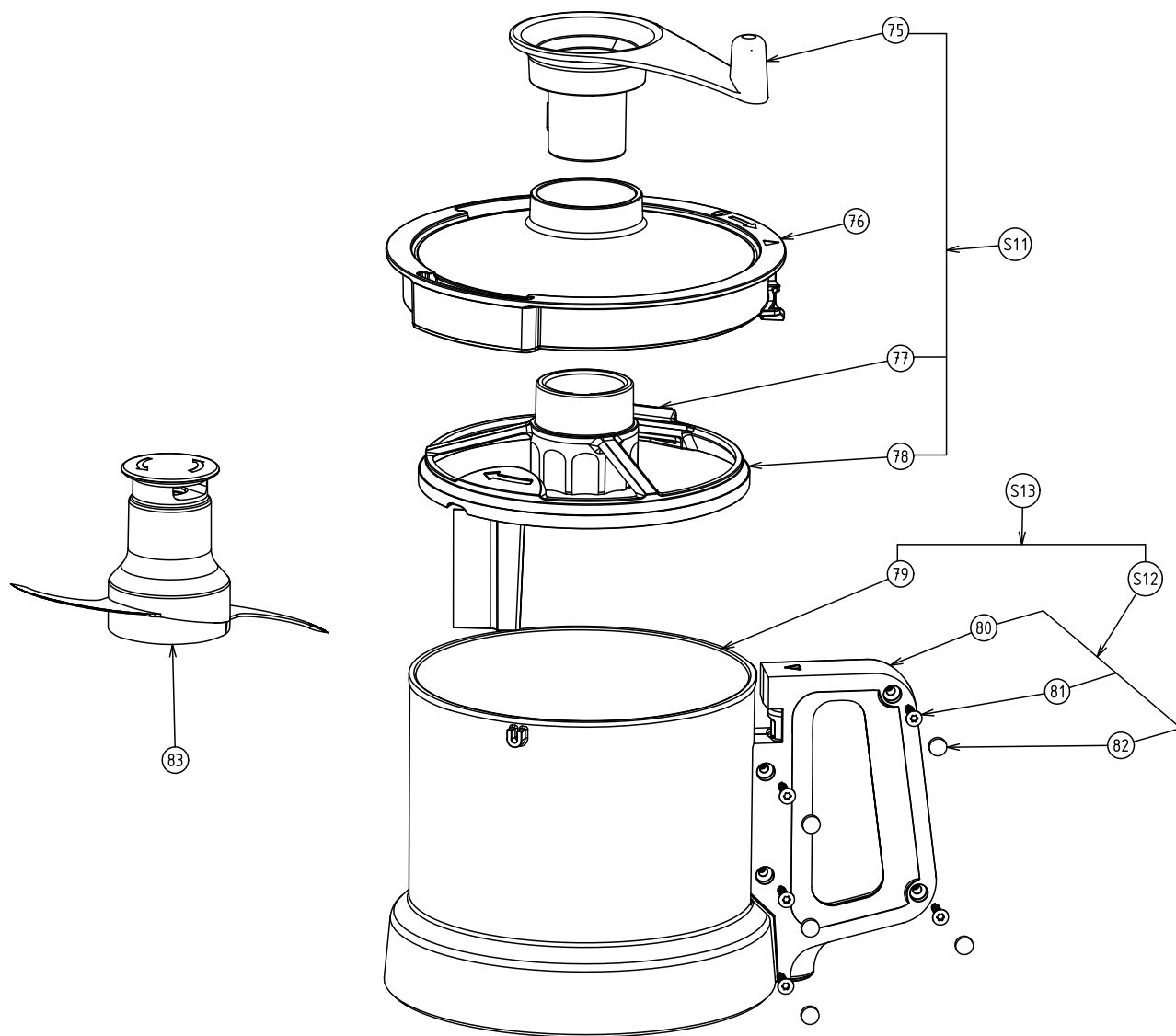


| Rep. | Code / Part n° | Désignation | Description | Notes |
|------|----------------|-----------------------------|--------------------------------------|--------------|
| 40 | voir S8 | Cordon | Power supply | |
| 41 | 0D7436 | Relais tension 230v | Relais tension 230v | D |
| | 0D7379 | Relais tension 115v | Relais tension 115v | E/F |
| | 0D0610 | Vis TC M4x8 (j x 10) | Screw TC M4x8 (set x 10) | |
| | 0D7501 | Ecrou M4 (j x 10) | Nut M4 (set x 10) | |
| 42 | 0D3491 | Lyre (j x 5) | Spring clip (set x 5) | |
| 43 | 0U0471 | Condensateur 90mf | Start capacitor 90mf | D |
| | 0D8069 | Condensateur 216-260mf | Start capacitor 216-260mf | F |
| | 0D6731 | Condensateur 145-174 | Start capacitor 145-174 | E |
| 44 | 0U0403 | Condensateur permanent 10mf | Running capacitor 10mf | D |
| | 0D7389 | Condensateur permanent 60mf | Running capacitor 60mf | F |
| | 0D1465 | Condensateur permanent 30mf | Running capacitor 30mf | E |
| 45 | 0D3567 | Cosse laiton terre (j x 5) | Brass earth cable terminal (set x 5) | |
| 46 | voir S9 | Carte puissance | Power card | |
| 47 | 0D3590 | Ecrou M8 (j x 10) | Nut M8 (set x 10) | |
| 48 | 0D7401 | Résistance | Resistance | |
| 49 | 0D3031 | Passe fil 21x62x2 (j x 10) | Grommet 21x62x2 (set x 10) | |
| 50 | 0D8094 | Support composant | Component support | |
| 51 | 0D8068 | Détecteur S3 éq. | Detector S3 assembly | |
| 52 | 0D8067 | Détecteur S2a / S2b éq. | Detector S2a / S2b assembly | |
| 53 | 0D2848 | Entretoise (j x 5) | Spacer (set x 5) | |
| 54 | 0D5135 | Barrette borne (j x 5) | Terminal bar (set x 5) | |
| 55 | 0D8096 | Disjoncteur 5A | Breaker 5a | D |
| | 0D7187 | Disjoncteur thermique 16A | Breaker 16a | E/F |
| 56 | 0D7969 | Collier NE5 (j x 10) | Tie NE5 (set x 10) | |
| 57 | Voir S8 | Presse étoupe | Grommet | |
| 58 | 0D2918 | Vis (j x 10) | Screw (j x 10) | |
| | | | | |
| S8 | 0D8066 | Cordon alim. 230v éq. | Power supply 230v assembly | D |
| | 0D8070 | Cordon alim. 115v éq. | Power supply 115v assembly | E/F |
| | 0D8074 | Cordon UK | Power supply 230v UK | D |
| | 0D0876 | Cordon AUS | Power supply 230v AUS | D |
| | | | | |
| S9 | 0KQ429 | Carte puissance éq. | Single phase power card assembly | D/E/F |
| | | | | |

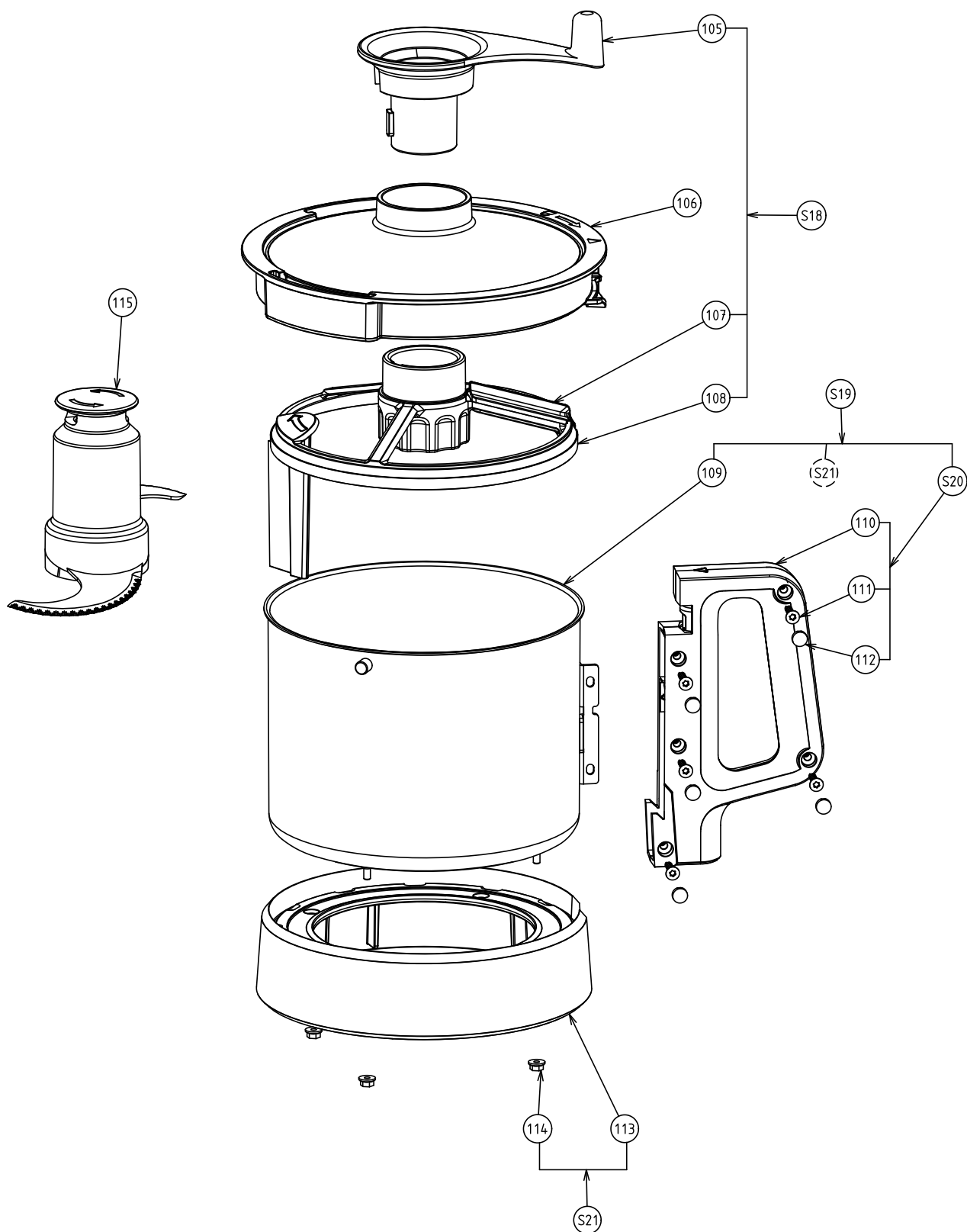


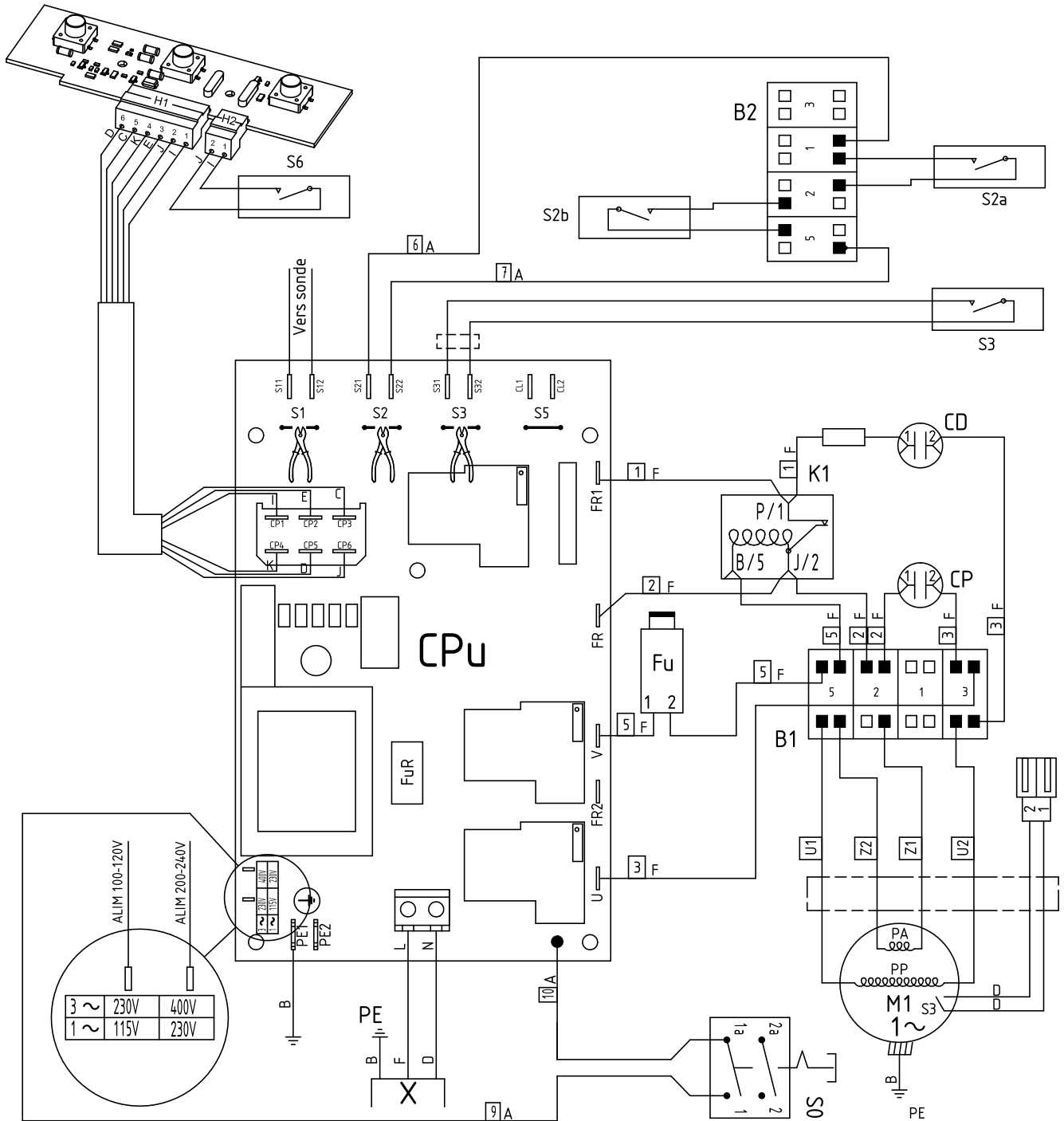
| Rep. | Code / Part n° | Désignation | Description | Notes |
|------------|----------------|---------------------------------|---------------------------|----------|
| 60 | voir S10 | Cordon | Power supply | |
| 61 | 0D7969 | Collier NE5 (j x 10) | Tie NE5 (set x 10) | |
| | 0D0610 | Vis TC M4x8 (j x 10) | Screw TC M4x8 (set x 10) | |
| | 0D7501 | Ecrou M4 (j x 10) | Nut M4 (set x 10) | |
| 62 | Voir S10 | Presse étoupe | Grommet | |
| 63 | 0D8088 | Grille éq. | Grid assembly | |
| 64 | 0D5135 | Barrette a bornes (j x 5) | Terminal bar (set x 5) | |
| 65 | 0D0871 | Variateur programmé | Speed inverter programmed | G |
| | 0D0611 | Vis TC M4x12 (j x 10) | Screw TC M4x12 (set x 10) | |
| | 0D7501 | Ecrou embase M4 (j x 10) | Nut M4 (set x 10) | |
| 66 | 0D3410 | Passe fil (j x 4) | Grommet (set x 4) | |
| 67 | 0D8249 | Détecteur S2a éq. | Detector S2a assembly | |
| 68 | 0D8251 | Détecteur S3 éq. | Detector S3 assembly | |
| 69 | 0D8250 | Détecteur S2b éq. | Detector S2b assembly | |
| 70 | 0D8252 | Détecteur S6 | Detector S6 assembly | |
| 71 | 0D8073 | Ecran moteur, support composant | Composant support | |
| 72 | 0D8247 | Filtre CEM 10A | Filter CEM 10A | |
| | 0D0610 | Vis TC M4x8 (j x 10) | Screw TC M4x8 (set x 10) | |
| | 0D7501 | Ecrou embase M4 (j x 10) | Nut M4 (set x 10) | |
| 73 | 0D8248 | Inductance | Inductance | |
| 74 | 0D8095 | Relais 230V 25A | Relay 230V 25A | |
| | | | | |
| S10 | 0D8072 | Cordon alim. STD éq. | Power supply STD assembly | G |
| | 0D8253 | Cordon alim. UK éq. | Power supply UK assembly | G |
| | | | | |
| | | | | |
| | | | | |
| | | | | |
| | | | | |
| | | | | |

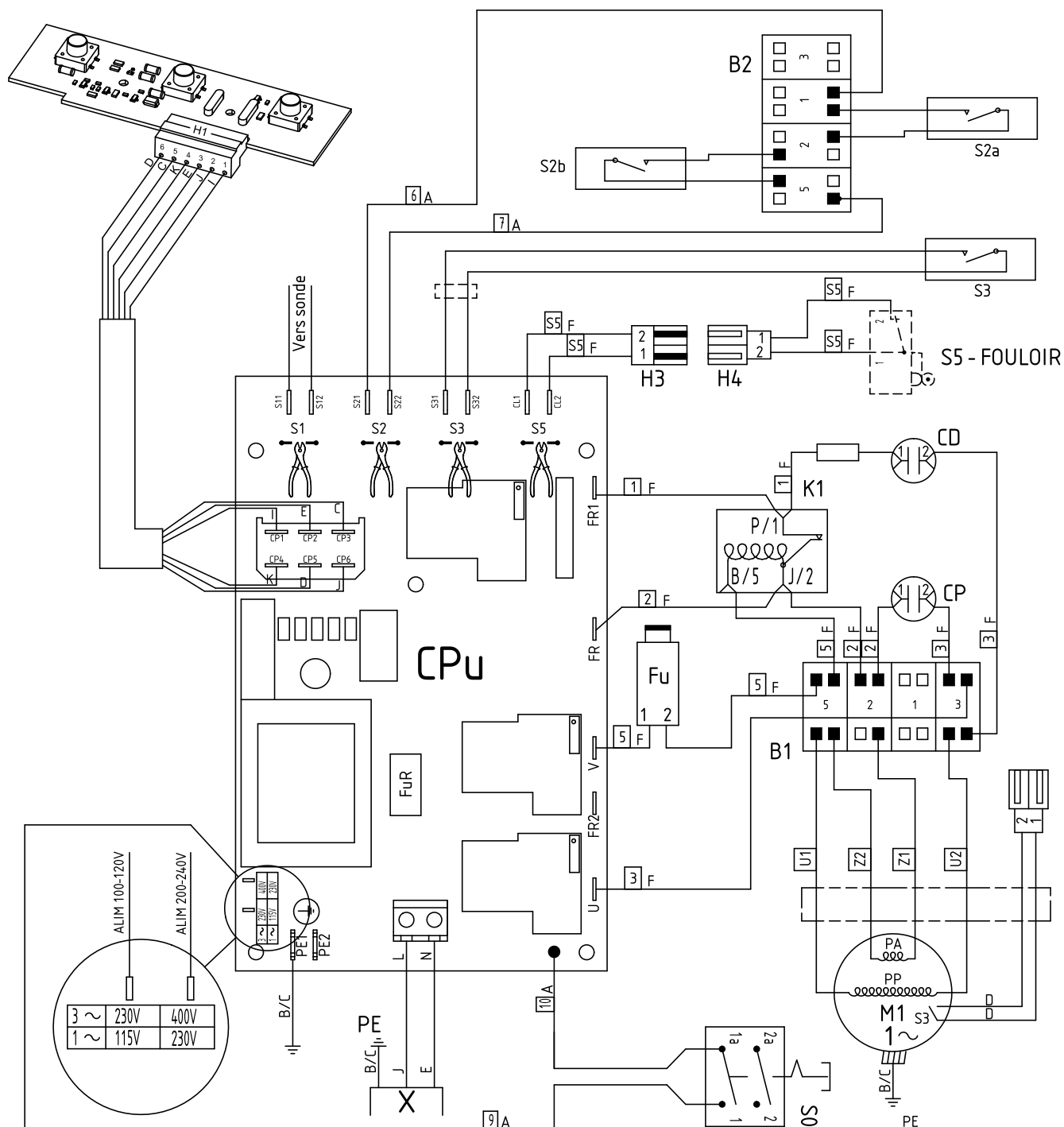


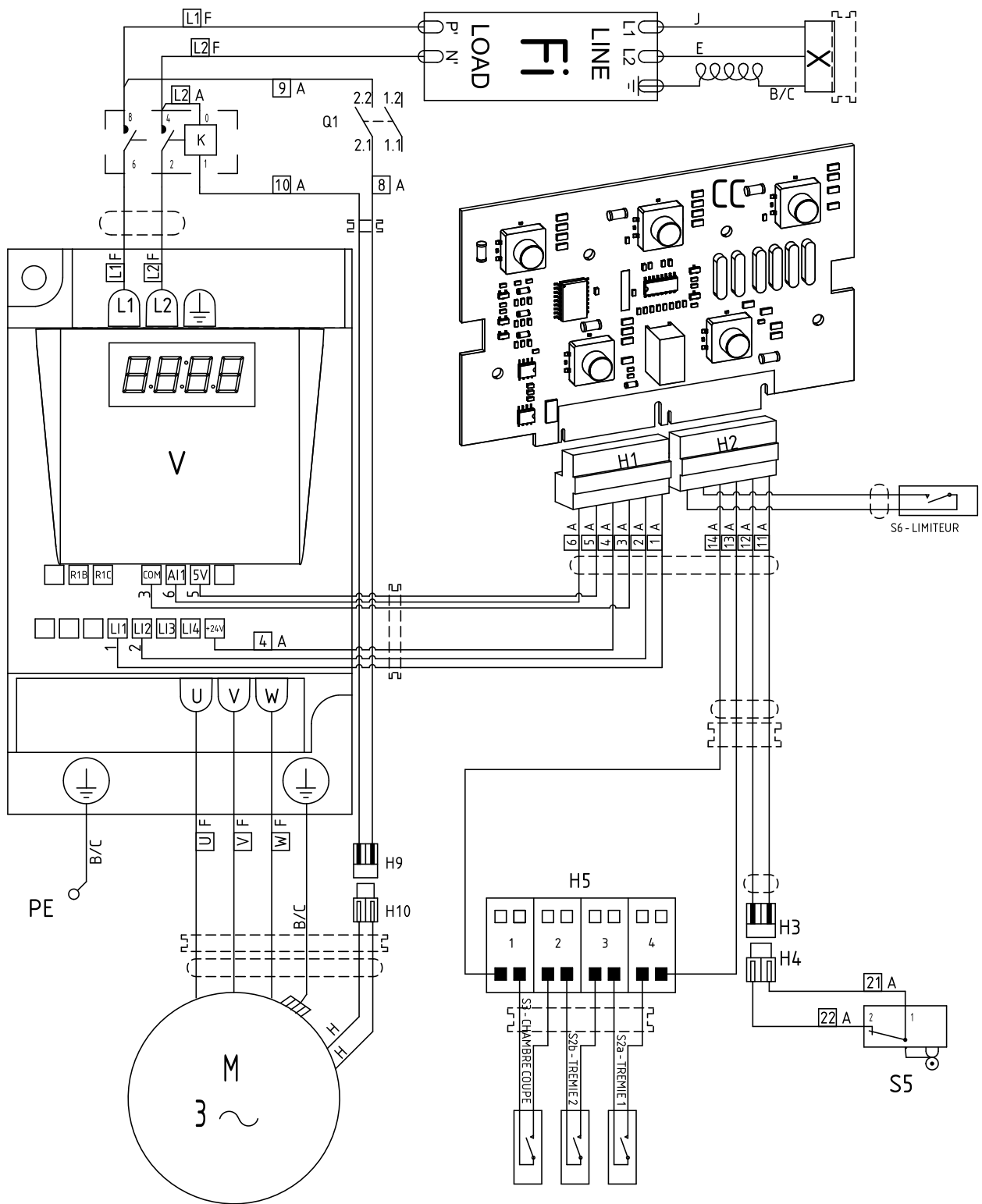


BOL 3.6L









Electrolux Professional SAS
Z.I. du Mont
23200 AUBUSSON FRANCE