

**LAVASTOVIGLIE A CAPPOTTINA
HOOD TYPE DISHWASHER**

NHT8/ KHT8/ EHT8/ ZHT8I/ AHT8I/ EHT8I/ ZHT8TI/ EHT8TI

| Code | Type | Ref. | Pagina/Page | Code | Type | Ref. | Pagina/Page |
|---------------|----------------|-----------|------------------|--------|------------|------|-------------|
| 504067 | EHT8IROWM | h2 | 3 4 5 6 | 504261 | EHT8IROW6 | a6 | 3 4 5 6 |
| 504068 | EHT8IROW6M | h3 | 3 4 5 6 | 504262 | EHT8ILG4 | a7 | 3 4 5 6 |
| 504069 | EHT8IGM | h4 | 3 4 5 6 | 504263 | EHT8ILG8 | a8 | 3 4 5 6 |
| 504070 | EHT8IG6M | h5 | 3 4 5 6 | 504264 | EHT8IUSPH5 | a9 | 3 4 5 6 |
| 504073 | EHT8IELGM | h6 | 3 4 5 6 7 | 504265 | EHT8IUSPH6 | b1 | 3 4 5 6 |
| 504074 | EHT8IELG6M | h7 | 3 4 5 6 7 | 504267 | EHT8IS | e2 | 3 4 5 6 |
| 504075 | EHT8IELGJM | h8 | 3 4 5 6 7 | 504268 | EHT8IELGJ | d9 | 3 4 5 6 7 |
| 504076 | EHT8IELGJ6M | h9 | 3 4 5 6 7 | 504269 | EHT8IELGJ6 | e1 | 3 4 5 6 7 |
| 504079 | EHT8IEWSGR | g8 | 3 4 5 6 7 | 504270 | ZHT8TIEL | w | 3 4 5 6 7 8 |
| 504081 | EHT8IWSGR | g9 | 3 4 5 6 | 504271 | ZHT8TIL | x | 3 4 5 6 7 |
| 504082 | XHT8IG | h1 | 3 4 5 6 | 504272 | ZHT8IELG | b2 | 3 4 5 6 7 |
| 504130 | VHT8IG | g7 | 3 4 5 6 | 504273 | ZHT8ILG | b3 | 3 4 5 6 |
| 504149 | EHTA060 | m7 | 3 4 5 6 7 | 504274 | ZHT8IWSG | b4 | 3 4 5 6 |
| 504150 | ZHTA060 | b5 | 3 4 5 6 | 504275 | ZHT8IG | b5 | 3 4 5 6 |
| 504154 | VHTA060 | g7 | 3 4 5 6 | 504276 | ZHT8I | b6 | 3 4 5 6 |
| 504246 | XHT8I | e4 | 3 4 5 6 | 504277 | ZHT8IROW | b7 | 3 4 5 6 |
| 504250 | EHT8TIEL | s | 3 4 5 6 6 7 | 504278 | ZHT8IROW6 | b8 | 3 4 5 6 |
| 504251 | EHT8TIL | t | 3 4 5 6 6 | 504279 | EHT8IELG4 | c9 | 3 4 5 6 7 |
| 504252 | EHT8TIELG4 | u | 3 4 5 6 6 7 | 504280 | EHT8IELG8 | d1 | 3 4 5 6 7 |
| 504253 | EHT8TIELG8 | v | 3 4 5 6 6 7 | 504283 | NHT8ILG | c3 | 3 4 5 6 |
| 504254 | EHT8IELG | y | 3 4 5 6 7 | 504284 | NHT8IWSG | c4 | 3 4 5 6 |
| 504255 | EHT8IEWSG | z | 3 4 5 6 7 | 504285 | NHT8IG | c5 | 3 4 5 6 |
| 504256 | EHT8ILG | a1 | 3 4 5 6 | 504286 | NHT8IELG | c6 | 3 4 5 6 7 |
| 504257 | EHT8IWSG | a2 | 3 4 5 6 | 504287 | NHT8IEWSG | c7 | 3 4 5 6 7 |
| 504258 | EHT8IG | a3 | 3 4 5 6 | 504288 | EHT8IELG6 | c8 | 3 4 5 6 7 |
| 504259 | EHT8I | a4 | 3 4 5 6 | 504290 | HHT8I | d6 | 3 4 5 6 |
| 504260 | EHT8IROW | a5 | 3 4 5 6 | 504292 | EHT8TILG | e6 | 3 4 5 6 7 |

Pag./Page

Indice

| | |
|-------|---|
| 3 | Vista generale |
| 4 | Componenti idraulici |
| 5 | Circuito idraulico |
| 6 | Componenti elettrici |
| 7 | Componenti versione automatica - Fino a 2019/48 |
| 8 | Componenti versione automatica - Da 2019/49 |
| 9 | Componenti ESD |
| 10-25 | Lista ricambi |

Index

| |
|--|
| Main view |
| Hydraulic components |
| Hydraulic circuit |
| Electrical components |
| Automatic version components - Up to 2019/48 |
| Automatic version components - From 2019/49 |
| ESD components |
| Spare parts list |

Marchio/Brand: Z - E - A
Paese/Country: Tutti/All

**LAVASTOVIGLIE A CAPPOTTINA
HOOD TYPE DISHWASHER**

NHT8/ KHT8/ EHT8/ ZHT8I/ AHT8I/ EHT8I/ ZHT8TI/ EHT8TI

| Code | Type | Ref. | Pagina/Page | Code | Type | Ref. | Pagina/Page |
|---------------|---------------|-----------|------------------|---------------|----------------|-----------|----------------|
| 504293 | EHT8TIELG | e7 | 3 4 5 6 7 8 | 505090 | HHT8 | d5 | 3 4 5 6 |
| 504296 | EHT8E | m1 | 3 4 5 6 7 | 505091 | XHT8G | e3 | 3 4 5 6 |
| 504297 | EHT8EG | m2 | 3 4 5 6 7 | 505096 | NHT8S | e5 | 3 4 5 6 |
| 504298 | ZHT8E | m3 | 3 4 5 6 7 | 505100 | EHT8 | e8 | 3 4 5 6 |
| 504299 | ZHT8EG | m4 | 3 4 5 6 7 | 505101 | EHT8S | e9 | 3 4 5 6 |
| 504300 | VHT8EG | m5 | 3 4 5 6 7 | 505102 | EHT8DD | f1 | 3 4 5 6 |
| 505066 | NHT8ROW | d | 3 4 5 6 | 505103 | EHT8G | f2 | 3 4 5 6 |
| 505067 | NHT8O | e | 3 4 5 6 | 505104 | EHT8LGUK | f3 | 3 4 5 6 |
| 505068 | NHT8ROW6 | f | 3 4 5 6 | 505105 | EHT8WSG | f4 | 3 4 5 6 |
| 505069 | NHT8O6 | g | 3 4 5 6 | 505106 | ZHT8 | f5 | 3 4 5 6 |
| 505070 | NHT8G | a | 3 4 5 6 | 505107 | ZHT8S | f6 | 3 4 5 6 |
| 505071 | NHT8 | b | 3 4 5 6 | 505108 | ZHT8DD | f7 | 3 4 5 6 |
| 505072 | NHT8WSG | c | 3 4 5 6 | 505109 | ZHT8G | f8 | 3 4 5 6 |
| 505073 | EHT8ROW | j | 3 4 5 6 | 505110 | ZHT8LGUK | f9 | 3 4 5 6 |
| 505074 | EHT8O | k | 3 4 5 6 | 505111 | ZHT8WSG | g1 | 3 4 5 6 |
| 505075 | EHT8ROW6 | l | 3 4 5 6 | 505112 | ZHT8ROW | g2 | 3 4 5 6 |
| 505076 | EHT8O6 | m | 3 4 5 6 | 505113 | ZHT8ROW6 | g3 | 3 4 5 6 |
| 505077 | EHT8J | n | 3 4 5 6 | 505114 | ZHT8O | g4 | 3 4 5 6 |
| 505078 | EHT8J6 | o | 3 4 5 6 | 505115 | ZHT8O6 | g5 | 3 4 5 6 |
| 505079 | EHT8M | p | 3 4 5 6 | 505117 | VHT8G | g6 | 3 4 5 6 |
| 505080 | EHT8M6 | q | 3 4 5 6 | 506060 | EHT8M46 | m6 | 3 4 5 6 |
| 505081 | KHT8 | r | 3 4 5 6 | 506069 | NHTGRUK | d7 | 3 4 5 6 |
| 505083 | NHT8GUK | h | 3 4 5 6 | 506070 | NHT8LGRUK | d8 | 3 4 5 6 |
| 505084 | NHT8DD | i | 3 4 5 6 | 698066 | AHT8IWSG | b9 | 3 4 5 6 |
| 505085 | NHT8WSGUK | d2 | 3 4 5 6 | 698067 | AHT8IG | c1 | 3 4 5 6 |
| 505086 | NHT8LGUK | d3 | 3 4 5 6 | 698068 | AHT8I | c2 | 3 4 5 6 |
| 505089 | NHT8P | d4 | 3 4 5 6 | | | | |

Pag./Page

Indice

| | |
|-------|---|
| 3 | Vista generale |
| 4 | Componenti idraulici |
| 5 | Circuito idraulico |
| 6 | Componenti elettrici |
| 7 | Componenti versione automatica - Fino a 2019/48 |
| 8 | Componenti versione automatica - Da 2019/49 |
| 9 | Componenti ESD |
| 10-25 | Lista ricambi |

Index

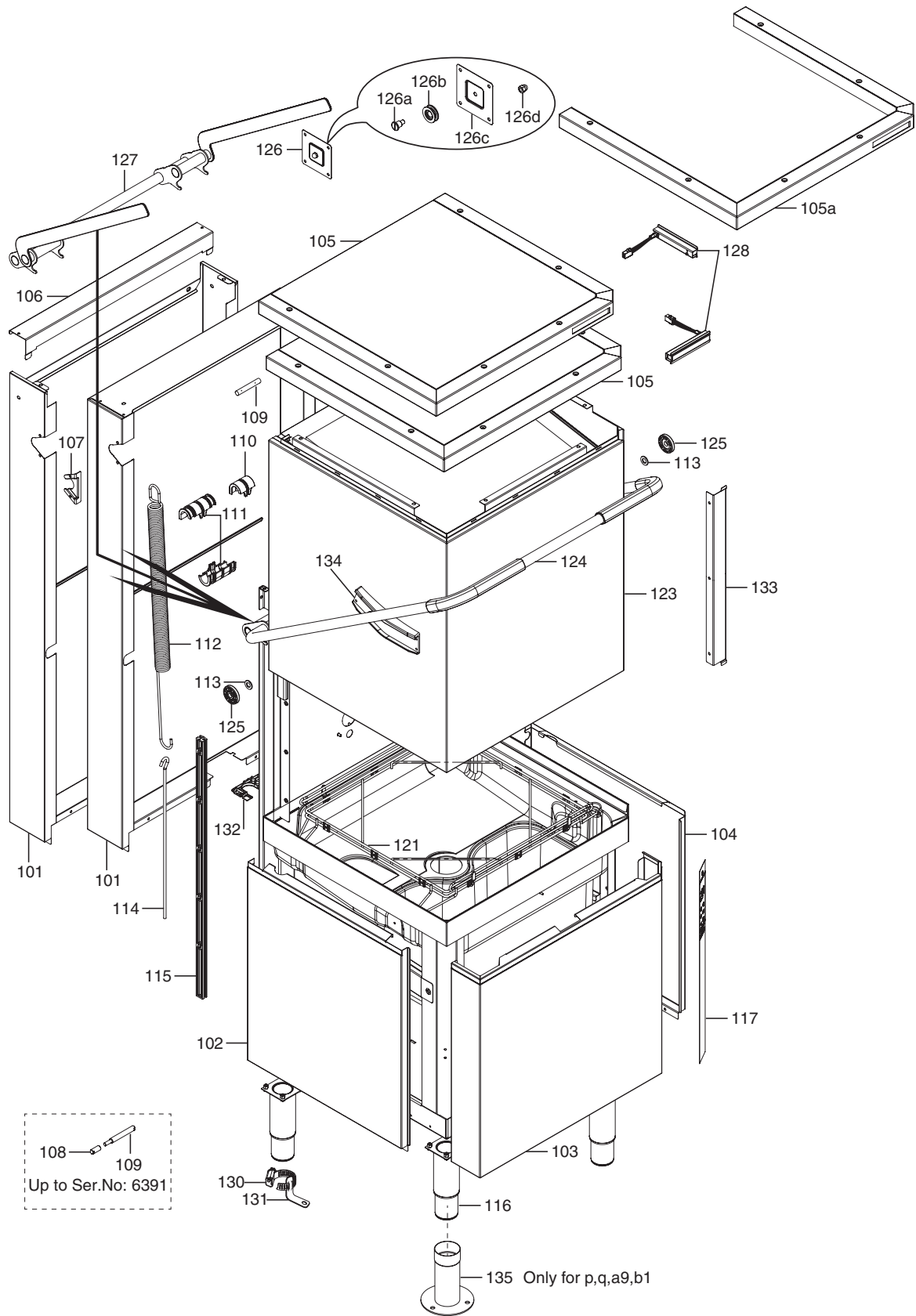
| |
|--|
| Main view |
| Hydraulic components |
| Hydraulic circuit |
| Electrical components |
| Automatic version components - Up to 2019/48 |
| Automatic version components - From 2019/49 |
| ESD components |
| Spare parts list |

Marchio/Brand: Z - E - A
Paese/Country: Tutti/All

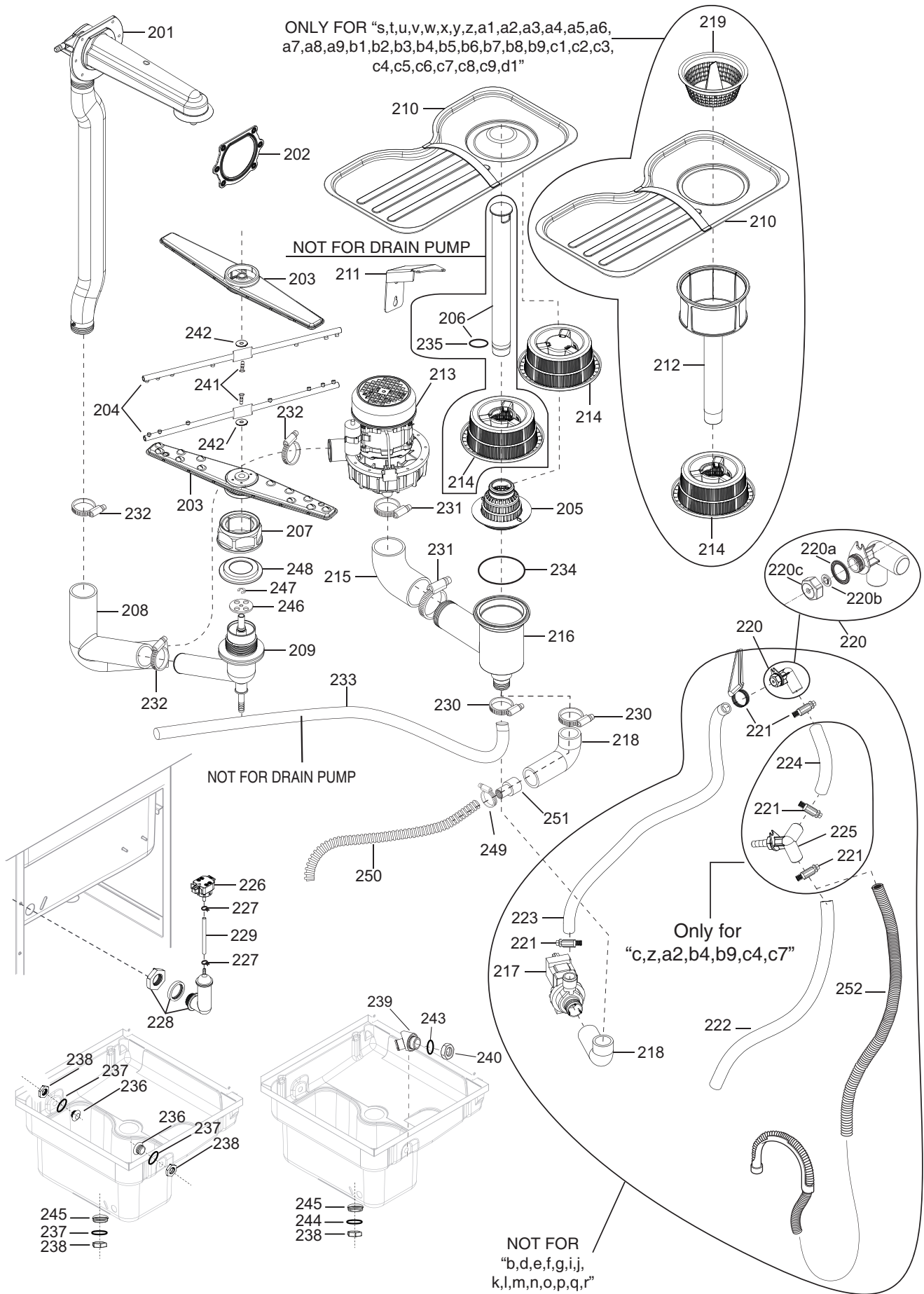
Da Ser. Nr./ From Ser.nr.: **305...**

Ed. **2012 - 05**
Updated **2020 - 06**

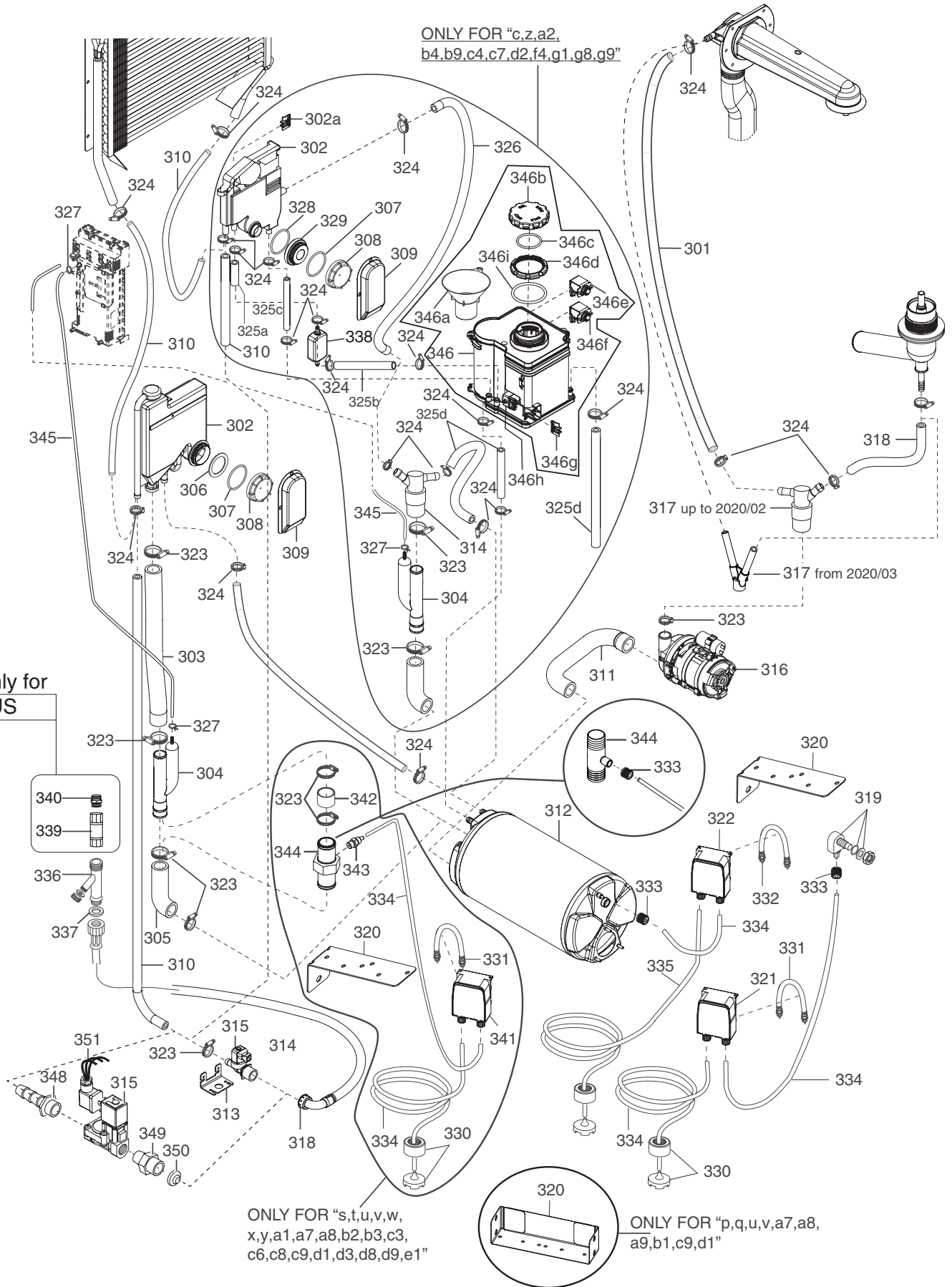
Doc. Nr.: **595668W00**



Vista generale / Main View

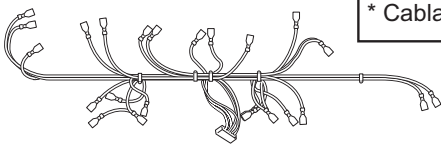


Componenti idraulici / Hydraulic components

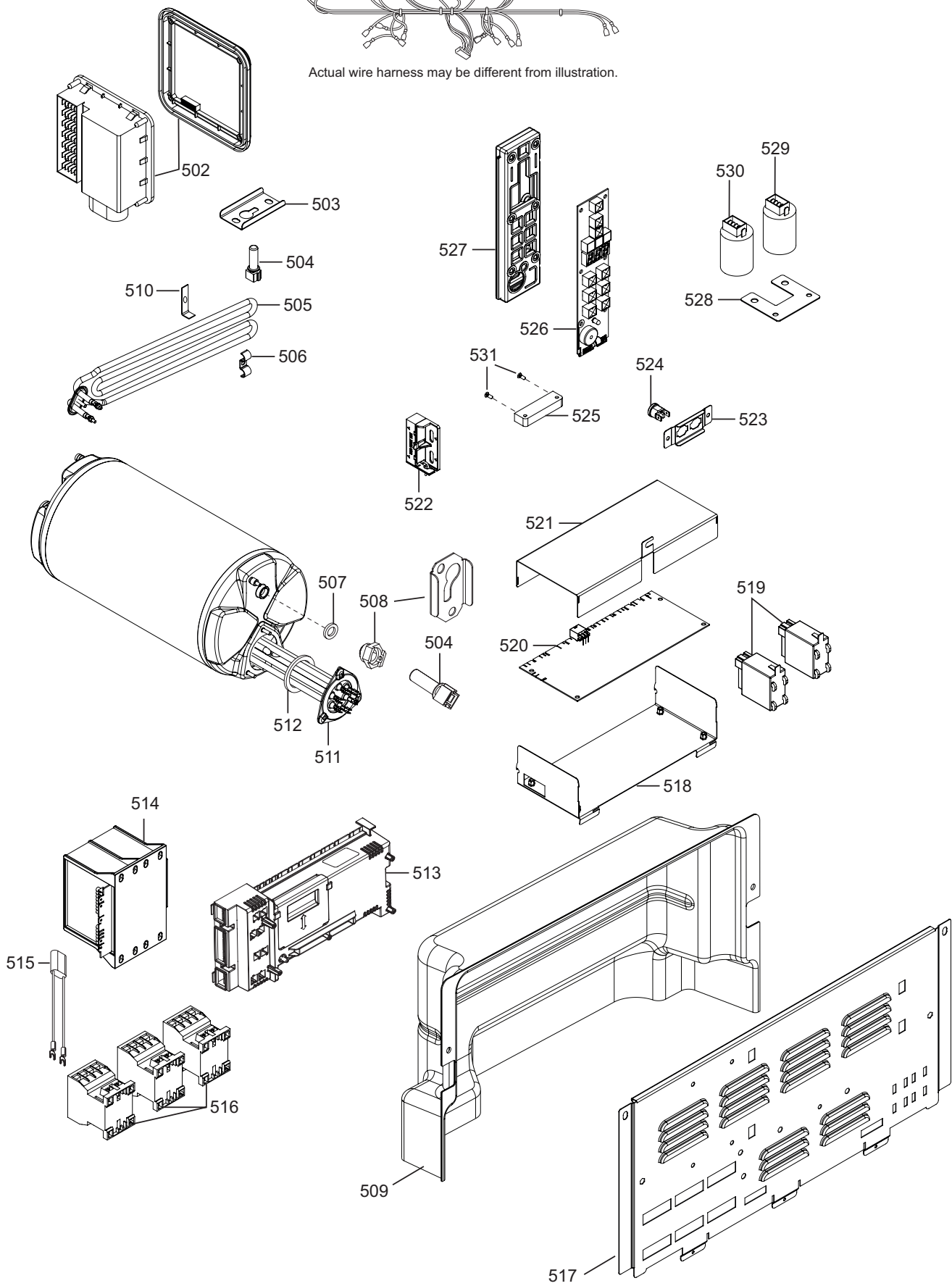


Circuito idraulico/ Hydraulic circuit

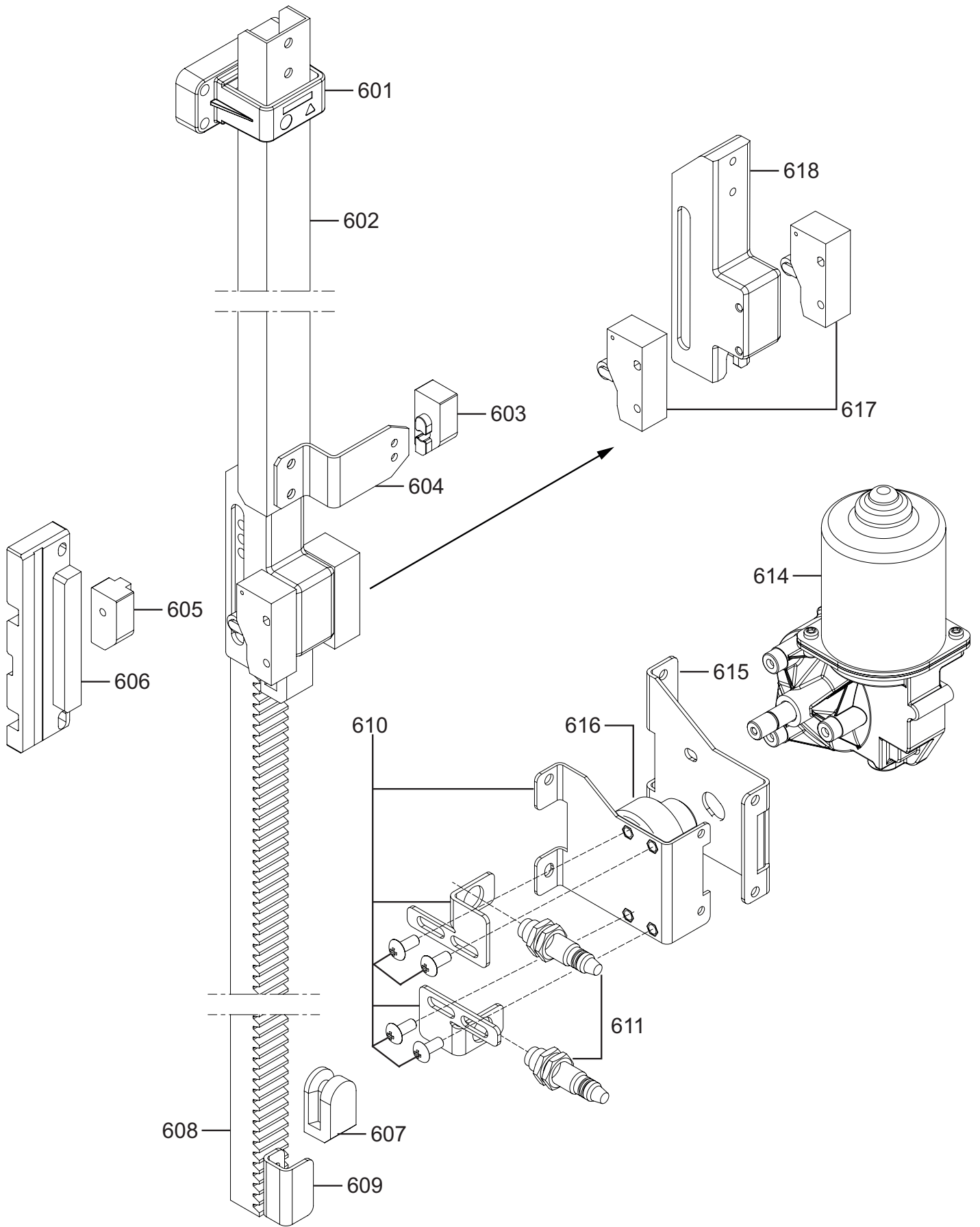
* Cablaggio/Wiring harness: 590



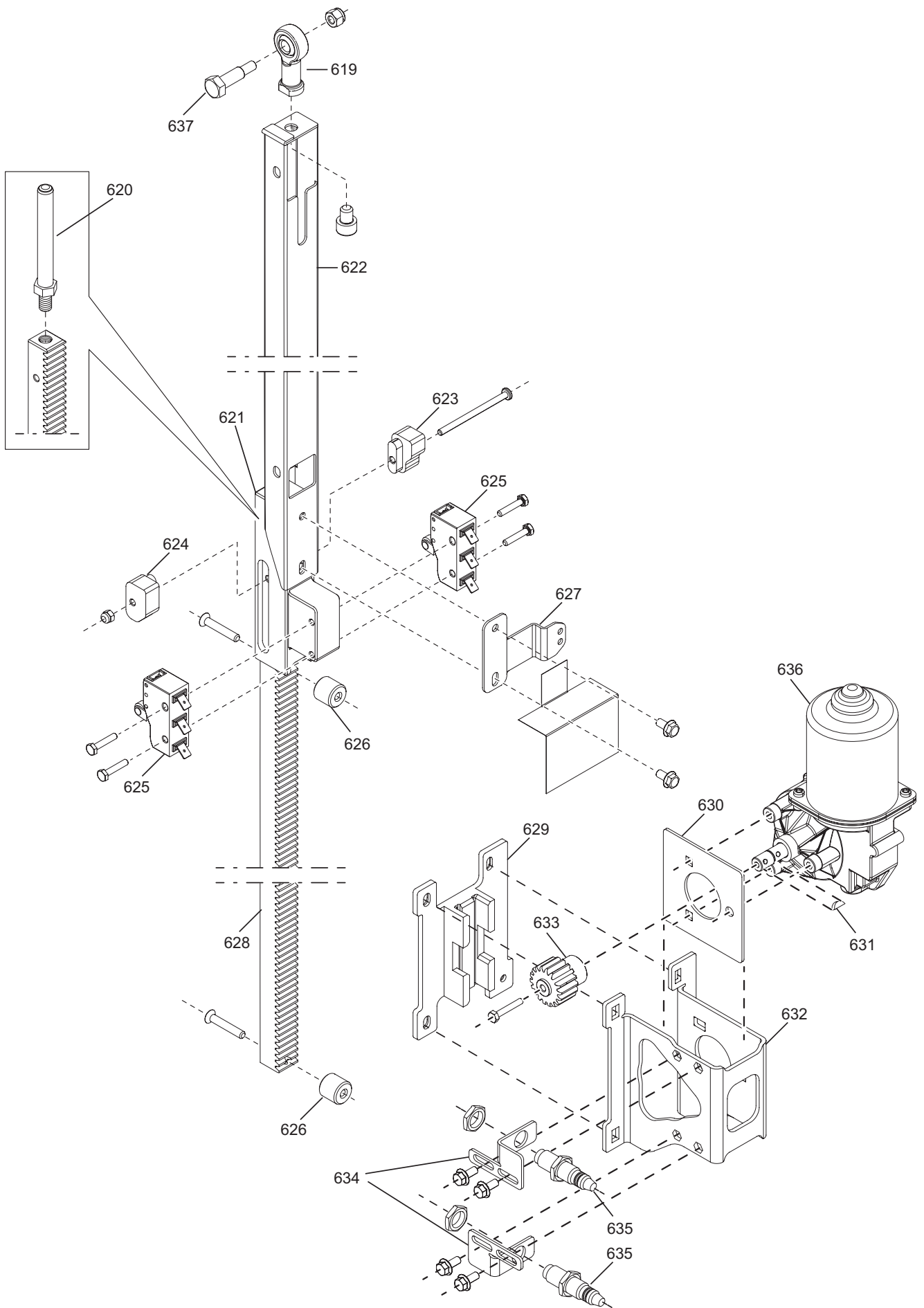
Actual wire harness may be different from illustration.



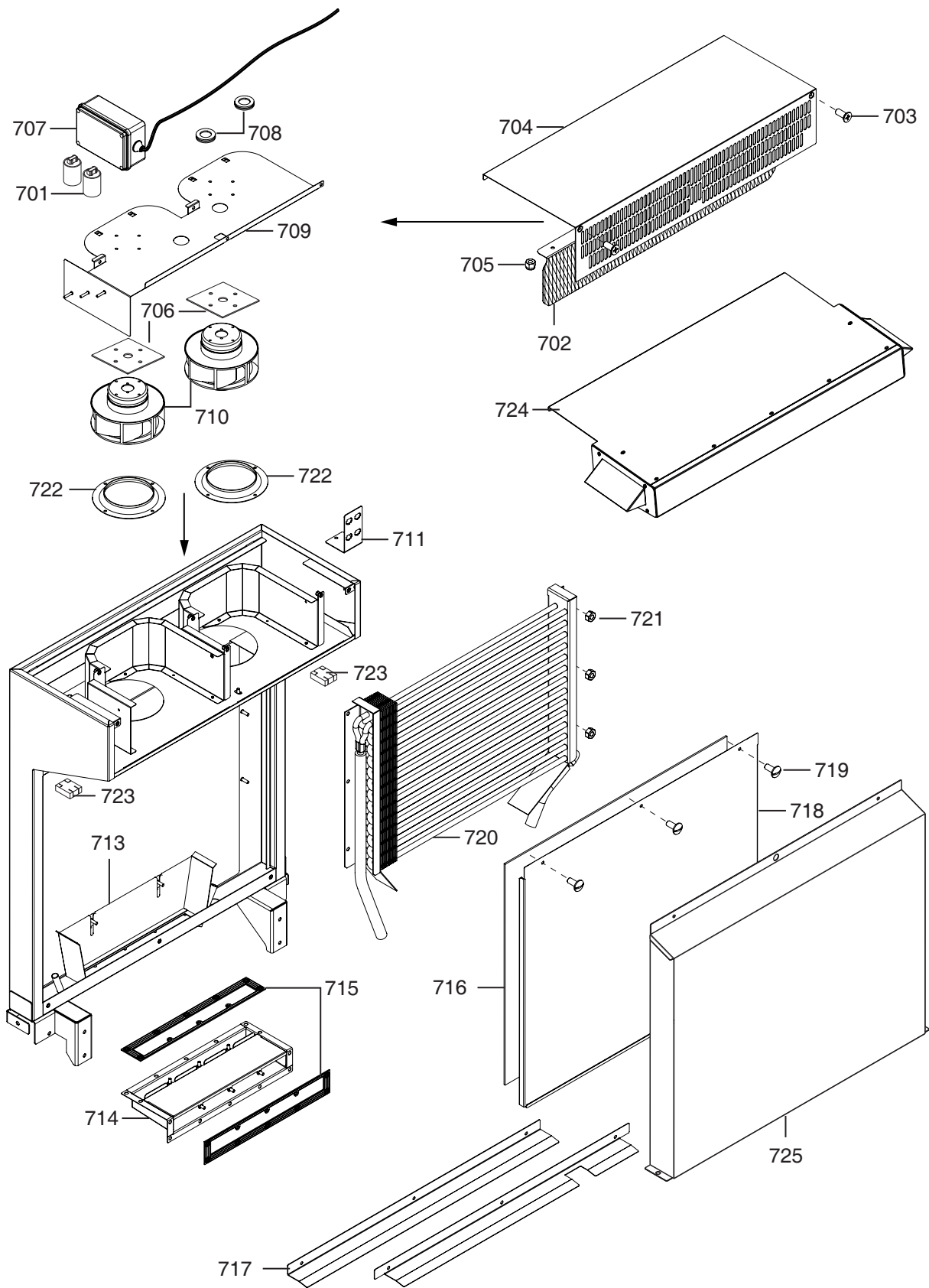
Componenti elettrici / Electrical components



Componenti versione automatica / Automatic version components - Up to 2019/48



Componenti versione automatica / Automatic version components - From 2019/49



Componenti ESD / ESD components

| Pos. | Cod. Ric. Part No. | Descrizione | Description | Note / Notes |
|---|--------------------|----------------------------|-----------------------|---|
| Pagina 3: Vista generale / Page 3: Main view | | | | |
| 101 | 0L2777 | Schienale | Back panel | s,u,v,w,e6,e7,m7 |
| 101 | 0L2778 | Schienale | Back panel | t,x, |
| 101 | 0L2779 | Schienale | Back panel | y,z,b2,c6,c7,c8,c9,d1,d9,e1, h6,h7,h8,h9,m1,m2,m3,m4,m5 |
| 101 | 0L2780 | Schienale | Back panel | a,b,c,d,e,f,g,h,i,j,k,l,m,n,o,p,q, r,a1,a2,a3,a4,a5,a6,a7,a8,b3, b4,b5,b6,b7,b8,b9,c1,c2,c3, c4,c5,d2,d3,d4,d5,d6,d7,d8, e8,e9,f1,f2,f3,f4,f5,f6,f7,f8, f9,g1,g2,g3,g4,g5,g6,g7, g9,h1,h2,h3,h4,h5,m6 |
| 101 | 0L2781 | Schienale | Back panel | a9,b1 |
| 101 | 0L3076 | Schienale | Back panel | e2,e5,e9,f6 |
| 102 | 0L2782 | Pannello laterale sinistro | Left side panel | |
| 103 | 0L2783 | Pannello comandi | Control panel | all always - g6,g7 from 8451 |
| 103 | 0L4318 | Pannello comandi | Control panel | g6,g7 up to 8441 |
| 104 | 0L2784 | Pannello laterale destro | Right side panel | |
| 105 | 0L2785 | Coperchio | Cover | s,t,u,v up to 4411 |
| 105 | 0L3680 | Coperchio | Cover | s,t,u,v,e6,e7 from 4421 up to 6101 |
| 105 | 0L3681 | Coperchio | Cover | s,t,u,v,e6,e7,m7 from 6111 |
| 105 | 0L2786 | Coperchio | Cover | y,z,a1,a2,a3,a4,a5,a6,a7,a8, a9,b1,c8,c9,d1,d9,e1,e2 up to 6101 |
| 105 | 0L3682 | Coperchio | Cover | y,z,a1,a2,a3,a4,a5,a6,a7,a8, a9,b1,c8,c9,d1,d9,e1,e2,g8, g9,h2,h3,h4,h5,h6,h7,h8,h9 from 6111 |
| 105 | 0L4579 | Coperchio | Cover | w,x |
| 105 | 0L2788 | Coperchio | Cover | b2,b3,b4,b5,b6,b7,b8, b9,c1,c2,d6,m3,m4,m5 |
| 105 | 0L2981 | Coperchio | Cover | c3,c4,c5,c6,c7,h1 |
| 105 | 0L3704 | Coperchio | Cover | g7 |
| 105a | 0L3527 | Coperchio | Cover | a,b,c,d,e,f,g,i,j,k,l,m,r, d3,d4,d5,d7,d8,e3,e8,e9, f1,f2,f3,f4,f5,f6,f7,f8,f9, g1,g2,g4,g6,m1,m2 |
| 106 | 0L2789 | Copertura schienale | Back panel cover | y,z,b2,c6,c7,c8,c9,d1,d9,e1, g8,h6,h7,h8,h9,m1,m2,m3, m4,m5 |
| 107 | 0L2790 | Protezione schienale | Back panel protection | |
| 108 | 0L2791 | Perno di chiusura | Lock pin | Up to Ser.No:6391 |
| 109 | 0L2792 | Perno | Pin | Up to Ser.No:6391 |
| 109 | 0TTZHG | Perno | Pin | From Ser.No:6401 |
| 110 | 0L2793 | Boccola per molla | Spring bush | |
| 111 | 0L2794 | Boccola per molla | Spring bush | |
| 112 | 049582 | Molla | Spring | for double skin |
| 112 | 0L0057 | Molla | Spring | for single skin |
| 113 | 0TH042 | Rondella 13X24 | Washer 13X24 | |
| 114 | 0L2796 | Tendimolla | Spring stretcher | s,t,u,v,w,x,e6,e7,m7 |

| Pos. | Cod. Ric. Part No. | Descrizione | Description | Note / Notes |
|------------|--------------------|------------------------|--------------------------|---|
| 114 | 0L2797 | Tendimolla | Spring stretcher | a,b,c,d,e,f,g,h,i,j,k,l,m,n,o,p,q,r,y,z,a1,a2,a3,a4,a5,a6,a7,a8,a9,b1,b2,b3,b4,b5,b6,b7,b8,b9,c1,c2,c3,c4,c5,c6,c7,c8,c9,d1,d2,d3,d4,d5,d6,d7,d8,d9,e1,e2,e3,e4,e5,e8,e9,f1,f2,f3,f4,f5,f6,f7,f8,f9,g1,g2,g3,g4,g5,g6,g7,g8,g9,h1,h2,h3,h4,h5,h6,h7,h8,h9,m1,m2,m3,m4,m5,m6 |
| 115 | 0L2798 | Guida cappotta | Hood guide | |
| 116 | 048579 | Piede | Foot | Up to Ser. Nr.: 409 |
| 116 | 0L3203 | Piede | Foot | From to Ser. Nr.: 410 |
| 117 | 0L2799 | Membrana | User interface label | y,z,a1,a2,a3,a4,a5,a6,a7,a8,a9,b1,c8,c9,d1,d9,e1,e2,g8,g9,h2,h3,h4,h5,h6,h7,h8,h9 |
| 117 | 0L2800 | Membrana | User interface label | s,t,u,v,e6,e7,m7 |
| 117 | 0L2801 | Membrana | User interface label | b2,b3,b4,b5,b6,b7,b8 |
| 117 | 0L2802 | Membrana | User interface label | w,x |
| 117 | 0L2803 | Membrana | User interface label | a,b,c,d,e,f,g,h,i,c3,c4,c5,c6,c7,d2,d3,d4,e5,d7,d8 up to 7431 |
| 117 | 0L4189 | Membrana Caterwash | Caterwash stick membrane | d7,d8 from 7441 |
| 117 | 0L2804 | Membrana | User interface label | j,k,l,m,n,o,p,q up to 6101 |
| 117 | 0L3683 | Membrana | User interface label | j,k,l,m,n,o,p,q from 6111 up to 7271 |
| 117 | 0L4186 | Membrana | User interface label | j,k,l,m,n,o,p,q,e8,e9,f1,m1,m2,f2,f3,f4,m6 from 7281 |
| 117 | 0L4185 | Membrana | User interface label | f5,f6,f7,f8,f9,g1,g2,g3,g4,g5,m3,m4 |
| 117 | 0L2805 | Membrana | User interface label | b9,c1,c2 |
| 117 | 0L2806 | Membrana | User interface label | r |
| 117 | 0L3367 | Membrana | User interface label | d5,d6 |
| 117 | 0L3594 | Membrana | User interface label | e3,e4,h1 |
| 117 | 0L4330 | Membrana | User interface label | g6 up to 8441 |
| 117 | 0L4463 | Membrana | User interface label | g6,m5 from 8451 |
| 117 | 0L4331 | Membrana | User interface label | g7 up to 8441 |
| 117 | 0L4464 | Membrana | User interface label | g7 from 8451 |
| 121 | 0L2807 | Guida cesto | Rack rail | Up to 2020/24 |
| 121 | 0L4580 | Guida cesto | Rack rail | From 2020/25 |
| 121 | 0L4411 | Guida cesto rinforzato | Reinforced rack rail | d5,d6,g8,g9 |
| 123 | 0L4193 | Cappotta | Hood | s,t,u,v,w,x,e6,e7 From ser. nr. 7251 Up to ser. nr. 9481 |
| 123 | 0L4655 | Cappotta | Hood | s,t,u,v,w,x,e6,e7,m7 From ser. nr. 9491 |
| 123 | 0L2809 | Cappotta | Hood | y,z,a1,a2,a3,a4,a5,a6,a7,a8,a9,b1,b2,b3,b4,b5,b6,b7,b8,b9,c1,c2,c3,c4,c5,c6,c7,c8,c9,d1,d6,d9,e1,e2,e4,g7,g8,g9,h1,h2,h3,h4,h5,h6,h7,h8,h9 |

LAVASTOVIGLIE CAPPOTTINA ZHT/NHT/ET12
HOOD TYPE DISHWASHER ZHT/NHT/ET12

Grassetto = variazioni
 Bold Print = changes

| Pos. | Cod. Ric. Part No. | Descrizione | Description | Note / Notes |
|------|--------------------|---------------------------------------|-------------------------------------|---|
| 123 | 0L2810 | Cappotta | Hood | a,b,c,d,e,f,g,h,i,j,k,l,m,n,o,p,q,r,d2,d3,d4,d5,d7,d8,e3,e5,e8,e9,f1,f2,f3,f4,f5,f6,f7,f8,f9,g1,g2,g3,g4,g5,g6,m1,m2,m3,m4,m5,m6 |
| 124 | 0L2811 | Maniglione | Handle | s,t,u,v,w,x,y,z,a1,a2,a3,a4,a5,a6,a7,a8,a9,b1,c8,c9,d1,d9,e1,e2,e6,e7,g9,h2,h3,h4,h5,h6,h7,h8,h9,m1,m2,m7 |
| 124 | 0L2967 | Maniglione | Handle | a,b,c,d,e,f,g,h,i,j,k,l,m,n,o,p,q,r,b2,b3,b4,b5,b6,b7,b8,b9,c1,c2,c3,c4,c5,c6,c7,d2,d3,d4,d5,d6,d7,d8,e8,e9,f1,f2,f3,f4,f5,f6,f7,f8,f9,g1,g2,g3,g4,g5,g6,g7,h1,m6 |
| 125 | 049598 | Rotella | Washer | |
| 126 | 0L2812 | Supporto rotella cappotta | Hood roller support | s,t,u,v,w,x,e6,e7,m7 |
| 126a | 0L2813 | Perno | Pin | |
| 126b | 0L2814 | Rotella | Roller | s,t,u,v,w,x,e6,e7,m7 |
| 126c | 0L2815 | Supporto rotella | Washer support | s,t,u,v,w,x,e6,e7,m7 |
| 126d | 0L2816 | Dado a calotta M8 | Domed cap nut M8 | |
| 127 | 0L2817 | Braccio guida cappotta | Hood rail arm | |
| 128 | 0L3451 | Led bar | Led bar | |
| 130 | 0L2463 | Fascetta 50-70 | Hose clamp 50-70 | |
| 131 | 0L2464 | Squadretta di fissaggio | Floor fixing bracket | |
| 132 | 0L0112 | Copertura passatubi | Hoses protection | |
| 133 | 0L2820 | Protezione Laterale | Side Protection | Up to Ser. Nr.: 5281 s,t,u,v,w,x |
| 133 | 0L3611 | Protezione laterale SX | Left side protection | From Ser. Nr: 5291 s,t,u,v,w,x,e6,e7,m7 |
| 133 | 0L3612 | Protezione laterale dx | Right side protection | s,t,u,v,w,x,e6,e7,m7 |
| 134 | 049597 | Guida maniglia | Guide handle | Not for "s,t,u,v,w,x,e6,e7,m7" |
| 135 | 0L1452 | Piede Marine | Marine Foot | Up to SerNr.: 4241 p,q,a9,b1 |
| 135 | 0L3347 | Piede Marine | Marine Foot | From Ser.Nr.: 4251 p,q,a9,b1 |
| | | Pagina 4: Componenti idraulici | Page 4: Hydraulic components | |
| 201 | 0L2821 | Supporto braccio lavaggio | Wash arm support | Up to Ser. Nr: 4491 |
| 201 | 0L3470 | Supporto braccio lavaggio | Wash arm support | From Ser. Nr: 4501 |
| 202 | 0L2822 | Guarnizione | Gasket | |
| 203 | 0L2823 | Braccio lavaggio | Wash arm | |
| 204 | 0L2095 | Braccio risciacquo | Rinse arm | |
| 205 | 0L2824 | Filtro di protezione | Protection filter | Up to Ser. Nr: 5281 |
| 205 | 0L3586 | Filtro di protezione | Protection filter | From Ser. Nr: 5291 |
| 206 | 0L4544 | Troppopieno+o-ring | Overflow pipe + o-ring | b,d,e,f,g,i,j,k,l,m,n,o,p,q,r,d4,d5,e5,e8,e9,f1,f5,f6,f7,g2,g3,g4,g5,m1,m3,m6 |
| 207 | 048237 | Ghiera | Ring nut | |
| 208 | 0L2825 | Manicotto | Hose coupling | |
| 209 | 048235 | Supporto getti inferiore | Lower jets support | |

LAVASTOVIGLIE CAPPOTTINA ZHT/NHT/ET12
HOOD TYPE DISHWASHER ZHT/NHT/ET12

Grassetto = variazioni
 Bold Print = changes

| Pos. | Cod. Ric. Part No. | Descrizione | Description | Note / Notes |
|------------|--------------------|-------------------------------------|--------------------------------|--|
| 210 | 0L2826 | Filtro vasca | Tank filter | a,b,c,d,e,f,g,h,i,j,k,l,m,n,o,p,q,r,c5,d2,d3,d4,d5,d7,d8,e8,e9,f1,f2,f3,f4,f5,f6,f7,f8,f9,g1,g2,g3,g4,g5,g6,g7,h1,m1,m2,m3,m4,m5,m6 |
| 210 | 0L2827 | Filtro vasca | Tank filter | s,t,u,v,w,x,y,z,a1,a2,a3,a4,a5,a6,a7,a8,a9,b1,b2,b3,b4,b5,b6,b7,b8,b9,c1,c2,c3,c4,c5,c6,c7,c8,c9,d1,d6,d9,e1,e2,e6,e7,g7,g8,g9,h1,h2,h3,h4,h5,h6,h7,h8,h9,m7 |
| 211 | 0L2828 | Supporto pompa | Pump support | Up to Ser.Nr: 5071 |
| 211 | 0L3523 | Supporto pompa | Pump support | From Ser.Nr: 5081 |
| 212 | 0L2830 | Troppopieno con filtro | Overflow pipe with filter | s,t,u,v,w,x,y,z,a1,a2,a3,a4,a5,a6,a7,a8,a9,b1,b2,b3,b4,b5,b6,b7,b8,b9,c1,c2,c3,c4,c5,c6,c7,c8,c9,d1,d6,d9,e1,e2,e6,e7,g7,g8,g9,h1,h2,h3,h4,h5,h6,h7,h8,h9,m7 |
| 213 | 0L2831 | Pompa lavaggio (230V/1N/50HZ) | Wash pump (230V/1N/50HZ) | Not for f,g,l,m,u,v,a6,a7,a8,b8,c8,e1,g3,g5,h3,h5,h7 |
| 213 | 0L2832 | Pompa lavaggio (230V/1N/60HZ) | Wash pump (230V/1N/60HZ) | f,g,l,m,a6,b8,c8,e1,g3,g5,h3,h5,h7 |
| 213 | 0L2833 | Pompa lavaggio (208-240V/1N/60HZ) | Wash pump (208-240V/1N/60HZ) | u,v,a7,a8,c9,d1 |
| 213 | 0L3528 | Pompa lavaggio (200V/1N/50HZ) | Wash pump (200V/1N/50HZ) | d9,h8 |
| 213 | 0L3529 | Pompa lavaggio (200V/1N/50HZ) | Wash pump (200V/1N/50HZ) | e1,h9 |
| 213 | 0L3599 | Pompa lavaggio (440V/3/60HZ) | Wash pump (440V/3/60HZ) | q,b1 |
| 213 | 0L3631 | Pompa lavaggio (400V/3/50HZ) | Wash pump (400V/3/50HZ) | p,a9 |
| 213 | 0L4604 | Pompa lavaggio (440V/3/60HZ) | Wash pump (440V/3/60HZ) | m6 |
| 214 | 0L2834 | Filtro aspirazione pompa | Pump suction filter | Not for a,c,h,d2,d3,d7,d8,e3,f2,f3,f4,f8,f9,g1,m2,m4,m5 |
| 214 | 0L2835 | Filtro aspirazione pompa | Pump suction filter | a,c,h,d2,d3,d7,d8,e3,f2,f3,f4,f8,f9,g1,g6,m2,m4,m5 |
| 215 | 0L2836 | Manicotto aspirazione pompa | Pump suction elbow | Always: a,b,c,d,e,f,g,h,i,j,k,l,m,r,s,t,w,x,y,z,a1,a2,a3,a4,a5,a6,b1,b2,b3,b4,b5,b6,b7,b8,b9,c1,c2,c3,c4,c5,c6,c7,c8,d2,d3,d4,d5,d6,d7,d8,e2,e3,e4,e5,e6,e7,e8,e9,f1,f2,f3,f4,f5,f6,f7,f8,f9,g1,g2,g3,g4,g5,g6,g7,g8,g9,h1,h2,h3,h4,h5,h6,h7,m1,m2,m3,m4,m5,m7. Up to 5401: n,o,p,q,u,v,a7,a8,a9,b1,c9,d1,d9,e1 |
| 215 | 0L3628 | Manicotto aspirazione pompa | Pump suction elbow | From 5411: n,o,p,q,u,v,a7,a8,a9,b1,c9,d1,d9,e1,h8,h9,m6 |
| 216 | 0L2837 | Collettore aspirazione pompa | Pump suction manifold | |
| 217 | 0L2838 | Pompa scarico | Drain pump | Not for b,d,e,f,g,i,j,k,l,m,n,o,p,q,r,d4,d5,e8,f1,f5,f7,g1,g2,g3,g4,g5,m1,m3,m6 |
| 218 | 0L2839 | Gomito | Elbow | Not for b,d,e,f,g,i,j,k,l,m,n,o,p,q,r,d4,d5,e8,f1,f5,f7,g1,g2,g3,g4,g5,m1,m3,m6 |

LAVASTOVIGLIE CAPPOTTINA ZHT/NHT/ET12
HOOD TYPE DISHWASHER ZHT/NHT/ET12

Grassetto = variazioni
 Bold Print = changes

| Pos. | Cod. Ric. Part No. | Descrizione | Description | Note / Notes |
|------------|--------------------|---------------------------------------|-------------------------------------|---|
| 219 | 0L2840 | Cestello per filtering system | Filtring system basket | s,t,u,v,w,x,y,z,a1,a2,a3,a4,a5, a6,a7,a8,a9,b1,b2,b3,b4,b5, b6,b7,b8,b9,c1,c2,c6,c7,c5, c4,c3,c8,c9,d1,d6,d9,e1,e2, e6,e7,g7,g8,g9,h1,h2,h3,h4, h5,h6,h7,h8,h9,m7 |
| 220 | 0L2729 | Valvola di sfiato | Vent valve | Not for b,d,e,f,g,i,j,k,l,m,n,o,p, q,r,d4,d5,e8,e9,f1,f5,f6,f7,g2, g3,g4,g5,m1,m3,m6 |
| 220a | 0L4469 | Guarnizione piana valvola sfiato | Vent valve gasket | Not for b,d,e,f,g,i,j,k,l,m,n, o,p,q,r,d4,d5,e8,e9,f1,f5,f6, f7,g2,g3,g4,g5,m2,m4,m5,m6 |
| 220b | 0L4468 | Guarnizione sfiato | Vent gasket | Not for b,d,e,f,g,i,j,k,l,m,n, o,p,q,r,d4,d5,e8,e9,f1,f5,f6, f7,g2,g3,g4,g5,m6 |
| 220c | 0L4467 | Tappo valvola sfiato | Vent valve plug | Not for b,d,e,f,g,i,j,k,l,m,n, o,p,q,r,d4,d5,e8,e9,f1,f5,f6, f7,g2,g3,g4,g5,m6 |
| 221 | 047578 | Fascetta 25-40/9 | Hose clamp 25-40/9 | Not for b,d,e,f,g,i,j,k,l,m,n,o,p,q,r,d4, d5,e8,f5,g1,g2,g3,g4,g5,m6 |
| 222 | 0L2841 | Tubo | Pipe | Not for b,d,e,f,g,i,j,k,l,m,n,o,p, q,r,d4,d5,d6,e8,f1,f5,f7,g1,g2, g3,g4,g5,m1,m3,m6 |
| 223 | 0L2842 | Tubo | Pipe | Not for b,d,e,f,g,i,j,k,l,m,n,o,p, q,r,d4,d5,e5,e8,e9,f1,f5,f6,f7, g2,g3,g4,g5,m1,m3,m6 |
| 224 | 0L2843 | Tubo | Pipe | c,z,a2,b4,b9,c7,c4,d2,f4,g8,g9 |
| 225 | 0L2844 | Valvola di sfiato | Vent valve | c,z,a2,b4,b9,c7,c4,d2,f4,g8,g9 |
| 226 | 0L2845 | Sensore | Sensor | |
| 227 | 0L0082 | Fascetta 7,3-7,8 | Hose clamp 7,3-7,8 | |
| 228 | 0L2846 | Trappola d'aria vasca | Tank air trap | |
| 229 | 072393 | Tubo 4X7,4 | Pipe 4X7,4 | 30 mm |
| 230 | 046878 | Fascetta 35-50/9 | Hose clamp 35-50/9 | |
| 231 | 046853 | Fascetta 60-80/9 | Hose clamp 60-80/9 | |
| 232 | 046855 | Fascetta 50-70/9 | Hose clamp 50-70/9 | |
| 233 | 049856 | Tubo di scarico | Drain hose | b,d,e,f,g,i,j,k,l,m,n,o,p,q,r,s,t, w,x,a4,a5,a6,a9,b1,b6,b7,b8, c2,d4,d6,e2,e6,e7,e8,f1,f5,f7, g1,g2, g3,g4,g5,h2,h3 up to 2019/48 |
| 233 | 0L4552 | Tubo di scarico | Drain hose | b,d,e,f,g,i,j,k,l,m,n,o,p,q,r,s,t, w,x,a4,a5,a6,a9,b1,b6,b7,b8, c2,d4,d6,e2,e6,e7,e8,f1,f5,f7, g1,g2, g3,g4,g5,h2,h3,m1,m3,m7 from 2019/49 |
| 234 | 049894 | O-Ring NBR 110X4mm | O-Ring NBR 110X4mm | |
| 235 | 0L2359 | O-Ring - 2,62 X 32,99mm | O-Ring - 2,62 X 32,99mm | b,d,e,f,g,i,j,k,l,m,n,o,p,q,r,d4, d5,e8,f1,f5,f7,g1,g2, g3,g4,g5, m1,m3,m6 |
| 236 | 0L2114 | Tappo a calotta AISI 303 - M20x-1.5mm | Calotte plug AISI 303 - M20x1.5mm | s,t,u,v,a7,a8,c9,d1,e2, e5,e6,e7,e9,f6,m7 |
| 237 | 0L2302 | 2081O-Ring in silicone - 1.78x20.35mm | Silicone 2081 O-Ring - 1.78x20.35mm | u,v,a7,a8,c9,d1 |
| 238 | 0L2115 | Controdado in ottone - M20x1.5mm | Brass nut - M20x1.5mm | u,v,a7,a8,c9,d1,e2,e5,e9,f6 |

Doc. Nr.: **595668W00**

Ed. **2012 - 05**
 Updated **2020 - 01**

Da Ser. Nr./ From Ser.nr.: **305...**

| Pos. | Cod. Ric. Part No. | Descrizione | Description | Note / Notes |
|------------|--------------------|---|--|---|
| 239 | 0L3074 | Iniettore detersivo solido | Powder detergent injection | s,t,e2,e5,e6,e7,e9,f6,m7 |
| 240 | 0L1086 | Dado fissaggio iniettore | Fixing injection nut | s,t,e2,e5,e6,e7,e9,f6,m7 |
| 241 | 048290 | Perno braccio di risciacquo | Rinse arm pin | |
| 242 | 048632 | Ghiera di fissaggio | Knurllet ring nut | |
| 243 | 046799 | OR 3100-2,62X25,07-NZGI-6M1920 | OR 3100-2,62X25,07-NZGI-6M1920 | e2,e5,e9,f6 |
| 244 | 0L2166 | OR 2081 1.78X20.35 | OR 2081 1.78X20.35 | s,t,e2,e5,e6,e7,e9,f6,m7 |
| 245 | 0L2114 | Tappo a calotta AISI 303 - M20x-1.5mm | Calotte plug AISI 303 - M20x1.5mm | s,t,u,v,a7,a8,c9,d1,e2, e5 Up to 5401 |
| 245 | 0L3627 | Tappo a calotta AISI 303 con intaglio - M20x1.5mm | Calotte plug AISI 303 with notch - M20x1.5mm | s,t,u,v,a7,a8,c9,d1,e2, e5,e6,e7,e9,f6,m7 From 5411 |
| 246 | 048820 | Parzializzatore | Flow reducer | |
| 247 | 048979 | Anello seger | C-Clamp | |
| 248 | 048236 | Guarnizione | Gasket | |
| 249 | 047578 | Fascetta 25-40/9 | Hose clamp 25-40/9 | d5 |
| 250 | 0L3757 | Tubo di scarico | Drain hose | d5 |
| 251 | 0L3701 | Riduzione tubo di scarico | Drain hose adapter | d5 |
| 252 | 0L3073 | Tubo di scarico | Drain hose | u,v,a7,a8,a9,b1,c9, d1,d6 |
| | | Pagina 5: Circuito idraulico | Page 5: Hydraulic circuit | |
| 301 | 048531 | Tubo | Pipe | 1310 mm |
| 302 | 049481 | Salto in aria | Air gap | Not for c,z,a2,b4,b9,c7,c4,d2, f4,g8,g9 |
| 302 | 0L2847 | Salto in aria | Air gap | c,z,a2,b4,b9,c7,c4,d2,f4 |
| 302a | 0L2959 | Sensore reed per salto in aria | Air gap reed sensor | c,z,a2,b4,b9,c7,c4,d2,f4,g8,g9 |
| 303 | 049287 | Tubo | Pipe | 410 mm |
| 303 | 0L4453 | Tubo | Pipe | 320 mm |
| 303 | 0L4453 | Tubo | Pipe | 420 mm - m1,m2,m3,m4,m5 |
| 304 | 0L2849 | Trappola d'aria | Air trap | c,z,a2,b4,b9,c4,c7,d2,f4,g1, g8,g9, |
| 304 | 049776 | Trappola d'aria | Air trap | y,b2,m1,m2,m3,m4,m5 |
| 305 | 049880 | Manicotto trappola d'aria | Air trap sleeve | Not for c,z,a2,b4,b9,c7,c4,d2, g8,g9 |
| 305 | 0L2851 | Manicotto trappola d'aria | Air trap sleeve | c,z,a2,b4,b9,c7,c4,d2,f4,g8,g9 |
| 306 | 049828 | Guarnizione | Gasket | |
| 307 | 049460 | OR | O-ring | |
| 308 | 049480 | Ghiera | Ring nut | |
| 309 | 0L2560 | PROTEZIONE GHIERA | Ring nut protection | Up to Ser.No: 6351 |
| 309 | 0L3756 | PROTEZIONE GHIERA | Ring nut protection | From Ser.No: 6361 |
| 310 | 0L3064 | Tubo | Pipe | 1400 mm c,z,a2,b4,c7,c4,d2,f4,g1,g8,g9,m7 |
| 310 | 048531 | Tubo | Pipe | 1380 mm m1,m2,m3,m4,m5 |
| 311 | 0L2852 | Manicotto aspirazione pompa | Pump suction sleeve | |

LAVASTOVIGLIE CAPPOTTINA ZHT/NHT/ET12
HOOD TYPE DISHWASHER ZHT/NHT/ET12

Grassetto = variazioni
 Bold Print = changes

| Pos. | Cod. Ric. Part No. | Descrizione | Description | Note / Notes |
|------------|--------------------|---------------------------------------|---------------------------------|--|
| 312 | 0L2853 | Boiler (AISI 304 - 1 foro) | Boiler (AISI 304 - 1 hole) | Up to ser.nr. 6101: a,b,h,i,n,o,p,q,r,s,t,w,x,y,a1,a3, a4,a9,b1,b2,b3,b5,b6,c1,c2,c3, c5,c6,c8,d3,d4,d5,d6,d7,d8,d9, e1,e2,e3,e4,e5,e6,e7,m7 |
| 312 | 0L3684 | Boiler (AISI 304 - 1 foro) | Boiler (AISI 304 - 1 hole) | From ser.nr. 6111: a,b,i,n,o,p,q,r,s,t,w,x,y,a1,a3, a4,a9,b1,b2,b3,b5,b6,c2,c3,c5,c6, c8,d3,d4,d5,d6,d7,d8,d9,e1,e2,e3, e4,e5,e6,e7,e8,e9,f2,f3, f5,f6,f8,f9,g6,g7,h1,h4,h6,h7,h8, h9,m1,m2,m3,m4,m5,m6,m7 |
| 312 | 0L2854 | Boiler (AISI 304 - 2 fori) | Boiler (AISI 304 - 2 holes) | Up to ser.nr. 6101: d,f,j,l,u,v,a5,a6,a7,a8,b7,b8,c9,d1 |
| 312 | 0L3685 | Boiler (AISI 304 - 2 fori) | Boiler (AISI 304 - 2 holes) | From ser.nr. 6111: d,f,j,l,u,v,a5,a6,a7,a8,b7,b8,c9, d1,g1,g2,g3,h2,h3,h5 |
| 312 | 0L2855 | Boiler (AISI 316 - 2 fori) | Boiler (AISI 316 - 2 holes) | Up to ser.nr. 6101: e,g,k,m |
| 312 | 0L3686 | Boiler (AISI 316 - 2 fori) | Boiler (AISI 316 - 2 holes) | From ser.nr. 6111: e,g,k,m,g4 |
| 312 | 0L2856 | Boiler (AISI 304 - 1 foro) | Boiler (AISI 304 - 1 hole) | Up to ser.nr. 6101: c,z,a2,b4,b9,c4,c7,d2 |
| 312 | 0L3687 | Boiler (AISI 304 - 1 foro) | Boiler (AISI 304 - 1 hole) | From ser.nr. 6111: c,z,a2,b4,c4,c7,d2,g8,g9 |
| 313 | 0TH116 | SUPPorto elettrovalvola | Solenoid valve support | |
| 315 | 0L0776 | Elettrovalvola (220V-240V) | Solenoid valve (220V-240V) | Not for n,o,u,v,a7,a8 |
| 315 | 0L2656 | Elettrovalvola (208V-240V) | Solenoid valve (208V-240V) | u,v,a7,a8,c9,d1 |
| 315 | 0L2960 | Elettrovalvola (220V-240V) | Solenoid valve(220V-240V) | Up to Ser. Nr: 3521 |
| 315 | 0L3450 | Elettrovalvola (220V-240V) | Solenoid valve(220V-240V) | From Ser Nr: 4011 |
| 315 | 0L2857 | Elettrovalvola (200V) | Solenoid valve (200V) | n,o,d9,e1,h8,h9 |
| 314 | 0L3080 | Raccordo 3 vie | 3 ways connection | |
| 316 | 0L2858 | Pompa risciacquo (230V/1N/50HZ) | Rinse pump (230V/1N/50HZ) | Up to Ser.Nr: 4471: a,b,c,d,e,j,k,i,h,r,s,t,w,x,y,z,a1,a2, a3,a4,a5,b2,b3,b4,b5,b6,b7,b9, c1,c2,c6,c7,c5,c4,c3,d2,d3,d4, d5,d6,d7,d8,d9,e2,e6,e7 |
| 316 | 0L1079 | Pompa risciacquo (230V/1N/50HZ) | Rinse pump (230V/1N/50HZ) | From Ser.Nr: 4481 a,b,c,d,e,j,k,i,h,r,s,t,w,x,y,z,a1, a2,a3,a4,a5,b2,b3,b4,b5,b6, b7,b9,c1,c2,c6,c7,c5,c4,c3,d2, d3,d4,d5,d6,d7,d8,e2,e6,e7,e8, f1, f2,f3,f4,f5,f7,f8,f9,g1,g2, g4,g6,g7,g8,g9,h1,h2,h4,h6, m1,m2,m3,m4,m5,m7 |
| 316 | 0L2859 | Pompa risciacquo (230V/1N/60HZ) | Rinse pump (230V/1N/60HZ) | f,g,l,m,a6,b8,c8,g3,g5, h3,h5,h7 |
| 316 | 0L2860 | Pompa risciacquo | Rinse pump (208-240V/1N/60HZ) | u,v,a7,a8,c9,d1 (208-240V/1N/60HZ) |
| 316 | 0L2861 | Pompa risciacquo (200V/1N/50HZ) | Rinse pump (200V/1N/50HZ) | n,d9,h8 |
| 316 | 0L2862 | Pompa risciacquo (200V/1N/60HZ) | Rinse pump (200V/1N/60HZ) | o,e1,h9 |
| 316 | 0L2863 | Pompa risciacquo (400V/3/50HZ) | Rinse pump (400V/3/50HZ) | p,a9 |
| 316 | 0L2864 | Pompa risciacquo (400V/3/60HZ) | Rinse pump (400V/3/60HZ) | q,b1 |
| 316 | 0L4603 | Pompa risciacquo (400V/3/60HZ) | Rinse pump (400V/3/60HZ) | m6 |
| 317 | 0L3080 | Raccordo 3 vie | 3 ways connection | Up to Ser. Nr.: 2020/02 |
| 317 | 0L4597 | Raccordo 3 vie | 3 ways connection | From Ser. Nr.: 2020/03 |

LAVASTOVIGLIE CAPPOTTINA ZHT/NHT/ET12
HOOD TYPE DISHWASHER ZHT/NHT/ET12

Grassetto = variazioni
 Bold Print = changes

| Pos. | Cod. Ric. Part No. | Descrizione | Description | Note / Notes |
|------|--------------------|---|----------------------------------|--|
| 318 | 048531 | Tubo | Pipe | 320 mm |
| 319 | 049801 | Iniettore detersivo | Detergent injection | a,c,h,i,s,t,u,v,y,z,a1,a2,a3,a7,a8,b2,b3,b4,b5,b9,c1,c6,c7,c5,c4,c3,c8,d2,d3,d7,d8,d9,e1,e6,e7,f1,f3,f4,f7,f9,g6,g7,g8,g9,h1,h4,h5,h6,h7,h8,h9,m7 |
| 320 | 0L2866 | Supporto pompe peristaltiche | Peristaltic pumps support | |
| 320 | 0L3524 | Supporto pompe peristaltiche | Peristaltic pumps support | p,q,u,v,a7,a8,a9,b1,c9,d1,m6 |
| 321 | 0S1711 | Pompa detersiva | Detergent pump | Up to Ser. Nr: 5501 a,c,h,i,s,t,y,z,a1,a2,a3,b2,b3,b4,b5,b9,c1,c6,c7,c5,c4,c3,c8,d2,d3,d7,d8,d9,e1,e6,e7 |
| 321 | 0S1986 | Pompa detersiva | Detergent pump | From Ser.Nr: 5511 a,c,h,i,s,t,y,z,a1,a2,a3,b2,b3,b4,b5,b9,c1,c6,c7,c5,c4,c3,c8,d2,d3,d7,d8,d9,e1,e6,e7,f1,f2,f3,f4,f7,f8,f9,g6,g7,g8,g9,h1,h4,h5,h6,h7,m7 |
| 321 | 0S1712 | Pompa detersiva | Detergent pump | Up to Ser. Nr: 5501 u,v,a7,a8,c9,d1 |
| 321 | 0S1988 | Pompa detersiva | Detergent pump | From Ser.Nr: 5511 u,v,a7,a8,c9,d1 |
| 321 | 0L3530 | Pompa detersiva | Detergent pump | Up to Ser. Nr: 5501 - d9,e1 |
| 321 | 0L3655 | Pompa detersiva | Detergent pump | From Ser.Nr: 5511 d9,e1,h8,h9 |
| 322 | 0S1713 | Pompa brillantante | Rinse aid pump | Up to Ser. Nr: 5501 Not for d,e,f,g,j,k,l,m,n,o,a5,a6,b7,b8,c2 |
| 322 | 0S2285 | Pompa brillantante | Rinse aid pump | From Ser.Nr: 5511 Not for d,e,f,g,j,k,l,m,n,o,a5,a6,b7,b8,g2,g4,g5,h2,h3,h8,h9 |
| 322 | 0L3330 | Pompa brillantante | Rinse aid pump | Up to Ser. Nr: 5501 - d9,e1 |
| 322 | 0L3656 | Pompa brillantante | Rinse aid pump | From Ser.Nr: 5511 d9,e1,h8,h9 |
| 322 | 0L3654 | Pompa brillantante | Rinse aid pump | e6,e7,f3,f9,m7 |
| 323 | 047578 | Fascetta 25-40/9 | Hose clamp 25-40/9 | |
| 324 | 048126 | Fascetta 12-22/9 | Hose clamp 12-22/9 | |
| 325a | 0L3062 | Tubo | Pipe | 50 mm |
| 325b | 0L3063 | Tubo | Pipe | 440 mm |
| 325c | 0L3061 | Tubo | Pipe | 630 mm |
| 325d | 0L3058 | Tubo | Pipe | 500 mm |
| 326 | 0L3060 | Tubo | Pipe | 880 mm |
| 327 | 0L0082 | Fascetta 7,3-7,8 | Hose clamp 7,3-7,8 | |
| 328 | 0L1277 | OR 26,58X3,53 | O-ring 26,58X3,53 | |
| 329 | 0L2867 | Ghiera | Ring nut | |
| 330 | 0S1028 | Peso in inox con filtro | Inox weight with filter | |
| 331 | 049419 | Tubo interno pompa detersiva/ delime | Detergent/ delime dispenser hose | Up to Ser.Nr. 6131 |
| 331 | 0S2121 | Tubo interno pompa detersiva/ delime | Detergent/ delime dispenser hose | From Ser. Nr. 6141 |
| 332 | 049418 | Tubo interno pompa brillantante | Rinse aid/ dispenser hose | Up to Ser.Nr. 6131 |

Doc. Nr.: **595668W00**

Ed. **2012 - 05**
 Updated **2020 - 01**

Da Ser. Nr./ From Ser.nr.: **305...**

LAVASTOVIGLIE CAPPOTTINA ZHT/NHT/ET12
HOOD TYPE DISHWASHER ZHT/NHT/ET12

Grassetto = variazioni
 Bold Print = changes

| Pos. | Cod. Ric. Part No. | Descrizione | Description | Note / Notes |
|------------|--------------------|--------------------------------------|----------------------------------|--|
| 332 | 0S2122 | Tubo interno pompa brillantante | Rinse aid/ dispenser hose | From Ser. Nr. 6141 |
| 333 | 0L2071 | Assieme tappo brillantante | Rinse aid plug assembly | Up to Ser.Nr. 4241 |
| 333 | 0L3079 | Assieme tappo brillantante | Rinse aid plug assembly | From Ser.Nr. 4251 Up to Ser. 8101 |
| 333 | 0L4400 | Assieme tappo brillantante | Rinse aid plug assembly | From Ser. 8111 Not for m1,m2,m3,m4,m5 |
| 334 | 0L1163 | Tubo detergente | Detergent pipe | |
| 335 | 0L0481 | Tubo brillantante | Rinse aid pipe | |
| 336 | 048834 | Filtro | Filter | |
| 337 | 049201 | Guarnizione | Gasket | |
| 338 | 0L3043 | Serbatoio aggiuntivo | Additional tank | c,z,a2,b4,b9, c4,c7,d2,g8,g9 |
| 339 | 0L2980 | Doppia valvola di non ritorno | Double no back-flow valve | y-e6-e7-m7 |
| 340 | 072457 | Giunto M.3/4" - M.3/4" | Coupling M.3/4" - M.3/4" | y-e6-e7-m7 |
| 341 | 0L2868 | Pompa delime | Delime pump | Up to Ser.Nr: 4421 s,t,u,v,w,x,y,a1,a7,a8,b2,b3, c6,c3,c8,c9,d1,d3,d8,d9,e1 |
| 341 | 0L3407 | Pompa delime | Delime pump | From Ser.Nr: 4431 Up to Ser. Nr: 5501 s,t,u,v,w,x- ,y,a1,a7,a8,b2,b3, c6,c3,c8,c9,d1,d3,d8,d9,e1 |
| 341 | 0L3654 | Pompa delime | Delime pump | From Ser.Nr: 5511 s,t,u,v,w,x, y,a1,a7,a8,b2,b3,c6,c3,c8,c9, d1,d3,d8,d9,e1,e6,e7,f3,f9,h6, h7,h8,h9,m7 |
| 342 | 049287 | Tubo | Pipe | 35 mm - s,t,u,v,w,x,y,a1,a7,a8, b2,b3,c6,c3,c8,c9,d1,d3,d8, d9,e1,e6,e7,f3, f9,h6,h7,h8,h9,m7 |
| 343 | 0L2869 | Iniettore delime | Derlime injector | s,t,u,v,w,x,y,a1,a7,a8,b2,b3, c6,c3,c8,c9,d1,d3,d8,d9,e1, e6,e7,h6,h7,h8,h9,m7 |
| 344 | 0L2870 | Raccordo delime | Delime connector | Up to Ser.Nr: 4241 s,t,u,v,w,x, y,a1,a7,a8,b2,b3,c6,c3,c8,c9, d1,d3,d8,d9,e1 |
| 344 | 0L3075 | Raccordo delime + Iniettore | Delime connector + Injector | From Ser.Nr: 4251 s,t,u,v,w,x, y,a1,a7,a8,b2,b3,c6,c3,c8,c9, d1,d3,d8,d9,e1,e6,e7,h6,h7, h8,h9,m7 |
| 345 | 0L3415 | Tubo 4X7,4 L=2000 | Hose 4X7,4 L=2000 | |
| 346 | 0L2871 | Assieme addolcitore | Water softener assembly | c,z,a2,b4,b9,c7,c4,d2,f4,g1 |
| 346a | 0L2950 | Imbuto sale | Salt funnel | c,z,a2,b4,b9,c7,c4,d2,f4,g8,g9 |
| 346b | 0L2951 | Assieme tappo | Cap assembly | c,z,a2,b4,b9,c7,c4,d2,f4,g8,g9 |
| 346c | 0L2952 | OR per tappo 42X5 | O-ring for cap 42X5 | c,z,a2,b4,b9,c7,c4,d2,f4,g8,g9 |
| 346d | 0L2953 | Ghiera | Ring nut | c,z,a2,b4,b9,c7,c4,d2,f4,g8,g9 |
| 346e | 0L2954 | Elettrovalvola (bianca) | Solenoid valve (white) | c,z,a2,b4,b9,c7,c4,d2,f4,g8,g9 |
| 346f | 0L2955 | Elettrovalvola (blu) | Solenoid valve (blue) | c,z,a2,b4,b9,c7,c4,d2,f4,g8,g9 |
| 346g | 0L2956 | Sensore reed | Reed sensor | c,z,a2,b4,b9,c7,c4,d2,f4,g8,g9 |
| 346h | 0L2957 | Elettrovalvola (marrone) | Solenoid valve (brown) | c,z,a2,b4,b9,c7,c4,d2,f4,g8,g9 |
| 346i | 0L2958 | OR 65X5 | O-ring 65X5 | c,z,a2,b4,b9,c7,c4,d2,f4,g8,g9 |
| 348 | 0L0477 | Portagomma in ottone 3/8"G | Brass hose union 3/8"G | d9,e1,h8,h9 |
| 349 | 0L0479 | Nipplo ottone MM 3/4"-3/8"G | Brass nipple MM 3/4-3/8X | d9,e1,h8,h9 |
| 350 | 0L0169 | Parzializzatore 5l/min | 5 l/min water shutter | d9,e1,h8,h9 |

| Pos. | Cod. Ric. Part No. | Descrizione | Description | Note / Notes |
|------------|--------------------|--|--|---|
| 351 | 0L2917 | Modulo di connessione per E.V. | Connection module for solenoid valve | d9,e1,h8,h9 |
| | 805665203 | Assieme tubi 301+303+304+305+310+323+324 | Pipes assembly 301+303+304+305+310+323+324 | a,h,a3,a9,b1,b5,c5,d7,e3,f2,f8, g6,g7,h1,h4,m2,m4,m5,m8,m9 |
| | 805665303 | Assieme tubi 301+303+304+305+310+323+324 | Pipes assembly 301+303+304+305+310+323+324 | b,d,e,f,g,i,j,k,l,m,n,o,p,q,r,a4,a5, a6,b5,b6,b7,b8,c1,c2,d4,d5,d6, e2,e4,e5,e8,e9,f1,f5,f6,f7,g2,g3, g4,g5,h2,h3,h5,m1,m3,m6 |
| | 0L2969 | Assieme tubi 310+301+305+342 | Pipes assembly 310+301+305+342 | u,v,y,a1,a7,a8,b2,b3,c3,c6,c8,c9, d1,d3,d8,d9,e1,f3,f9,h6,h7,h8,h9, m7 |
| | 805665505 | Assieme tubi 301+305+342 | Pipes assembly 301+305+342 | s,t,w,x,e6,e7 |
| | 805665T02 | Assieme tubi 302+302a+310+324+ 325a+325b+325c+338 | Pipes assembly 302+302a+ 310+324+325a+325b+325c+338 | c,z,a2,b4.b9.c4,c7,d2,f4,g1,g8,g9 |
| | | Pagina 6: Componenti elettrici | Page 6: Electrical components | |
| 502 | 0L0111 | Morsettiera | Terminal board | |
| 503 | 0L0366 | SUPPorto SENSORE | Sensor support | |
| 504 | 0L2874 | SONDA di TEMPERATURA | Temperature probe | |
| 505 | 0L1974 | Resistenza vasca (3 kW, 230V) | Tank heating element (3 kW, 230V) | Not for n,m,o,p,q,v,a7,a8,a9, b1,c9,d1,m6 |
| 505 | 0L2875 | Resistenza vasca (3 kW, 208V) | Tank heating element (3 kW, 208V) | v,a8,d1 |
| 505 | 0L2876 | Resistenza vasca (3 kW, 240V) | Tank heating element (3 kW, 240V) | u,a7,c9 |
| 505 | 0L2877 | Resistenza vasca (3 kW, 400V) | Tank heating element (3 kW, 400V) | p,a9 |
| 505 | 0L2878 | Resistenza vasca (3 kW, 440V) | Tank heating element (3 kW, 440V) | q,b1 |
| 505 | 0L2880 | Resistenza vasca (3 kW, 200V) | Tank heating element (3 kW, 200V) | n,o |
| 505 | 0L2234 | Resistenza vasca (3 kW, 200V) | Tank heating element (3 kW, 200V) | d9,e1,h8,h9 |
| 506 | 048429 | SQUADRetta di fissaggio | Lock support | |
| 507 | 0L2303 | OR | O-ring | |
| 508 | 0L0280 | Premistoppa per termostato | Stuffing box | Up to 6101 |
| 508 | 0L3689 | Premistoppa per termostato | Stuffing box | From 6111 |
| 509 | 0L4335 | Cover pannello scheda | Board panel cover | p,q,u,v,a7,a8,a9,b1,b2,c9,d1 Up to 9481 |
| 509 | 0L4598 | Cover pannello scheda | Board panel cover | p,q,u,v,a7,a8,a9,b1,b2, c9,d1,m1 - From 9491 |
| 510 | 0L4184 | Distanziale resistenza vasca | Tank heating spacer | |
| 511 | 0L2653 | Resistenza boiler (9 kW, 230V) | Boiler heating element (9 kW, 230V) | a,b,c,h,i,p,r,s,t,w,x,y,z,a1,a2, a3,a4,a9,b2,b3,b4,b5,b6,b9, c1,c2,c6,c7,c5,c3,c8,d2,d3, d6,d7,d8,d9,e1,e2,e6,e7,e8, f1,f2,f3,f4,f5,f7,f8,f9,g6,g7,g8, g9,h1,h4,h6,h7,h8,h9,m1,m2, m3,m4,m5,m6,m7 |
| 511 | 0L2767 | Resistenza boiler (9 kW, 254V) | Boiler heating elem. (9 kW, 254V) | q,b1 |
| 511 | 0L2883 | Resistenza boiler (9 kW, 200V) | Boiler heating elem. (9 kW, 200V) | n,o,d9,e1,h8,h9 |
| 511 | 0L2884 | Resistenza boiler (4,5 kW, 230V) | Boiler heating element (4,5 kW, 230V) | d,e,f,g,j,k,l,a5,a6,b7,b8, g2,g3,g4,g5,h2,h3,h5 |

LAVASTOVIGLIE CAPPOTTINA ZHT/NHT/ET12
HOOD TYPE DISHWASHER ZHT/NHT/ET12

Grassetto = variazioni
 Bold Print = changes

| Pos. | Cod. Ric. Part No. | Descrizione | Description | Note / Notes |
|------|--------------------|---|--|---|
| 511 | 0L2885 | Resistenza boiler (4,5 kW, 208V) | Boiler heating element (4,5 kW, 208V) | v,a8,d1 |
| 511 | 0L2886 | Resistenza boiler (4,5 kW, 240V) | Boiler heating element (4,5 kW, 240V) | u,a7,c9 |
| 512 | 0E5037 | OR 56.52X5.33 | O-Ring 56.52X5.33 | |
| 513 | 0L2887 | Scheda Madre | Main board | s,t,u,v,w,x,y,z,a1,a2,a3,a4,a5, a6,a7,a8,a9,b1,b2,b3,b4,b5, b6,b7,b8,b9,c1,c2,c3,c4,c5, c6,c7,c8,c9,d1,d3,d6,d8,d9, e1,e2,e4,e6,e7 up to 5401 from 5481 up to 6391 |
| 513 | 0L3600 | Scheda Madre | Main board | s,t,u,v,w,x,y,z,a1,a2,a3,a4,a5, a6,a7,a8,a9,b1,b2,b3,b4,b5, b6,b7,b8,b9,c1,c2,c3,c4,c5, c6,c7,c8,c9,d1,d3,d6,d8,d9, e1,e2,e4,e6,e7,f3,f9,g7,g8, g9,h1,h2,h3,h4,h5,h6, h7,h8,h9,m1,m2,m3,m4,m5,m7 from 5411 up to 5471 from 6401 |
| 513 | 0L2888 | Scheda Madre | Main board | a,b,c,d,e,f,g,h,i,j,k,l,m,n,o,p, q,r,d2,d4,d5,d7,e3,e5 up to 5401 from 5481 up to 6111 |
| 513 | 0L3601 | Scheda Madre | Main board | a,b,c,d,e,f,g,h,i,j,k,l,m,n,o,p, q,r,d2,d4,d5,d7,e3,e8,e9,f1, f2,f4,f5,f6,f7,f8,f9,g1,g2,g3, g4,g5,g6,m6 from 5411 up to 5471 from 6121 |
| 514 | 049883 | Trasformatore (80VA 400-440/230V) | Transformer (80VA 400-440/230V) | p,q,a9,b1,m6 |
| 515 | 0L1526 | Filtro elettrico (RC) | Electric filter (RC) | p,q,a9,b1,m6 |
| 516 | 0L0285 | Contattore (K3 - 230V) | Contactor (K3 - 230V) | a,b,c,h,i,p,r,s,t,w,x,y,z,a1,a2,a3, a4,a9,b2,b3,b4,b5,b6,b9,c1,c2, c3,c4,c5,c6,c7,d2,d3,d4,d5,d6, d7,d8,e2,e6,e7,e8,f2,f3,f4,f5, f8,f9,g6,g7,h1,h4,h6,,m1,m2, m3,m4,m5,m7 |
| 516 | 0L0286 | Contattore (K3 - 180V) | Contactor (K3 - 180V) | n,q,b1,c8,d9,h7,h8,m6 |
| 516 | 0L2057 | Contattore (K3 - 220V 60HZ) | Contactor (K3 - 220V 60HZ) | f,g,l,m,a6,b8,g3,g5,h3,h5 |
| 516 | 0L0430 | Contattore (K3 - 180V) | Contactor (K3 - 180V) | o,u,v,a7,a8,c9,d1,e1,h9 |
| 516 | 006879 | Contattore (K3 - 220-240V 50HZ / 240V 60HZ) | Contactor (K3 - 220-240V 50HZ / 240V 60HZ) | d,e,j,k,a5,b7,g1,g2,g4,h2 |
| 517 | 0L2889 | Pannello supporto scheda | Board support panel | Up to Ser. Nr: 5281 |
| 517 | 0L3596 | Pannello supporto scheda | Board support panel | From Ser. Nr: 5291 |
| 518 | 0L2890 | Supporto scheda alimentatore | Feeder board support | |
| 519 | 048888 | Relé | Relay | |
| 519 | 049159 | Relé | Relay | d9,e1,h8,h9 |
| 520 | 0L2891 | Alimentatore | Feeder | |
| 521 | 0L2892 | Coperchio alimentatore | Feeder cover | |
| 522 | 0L2893 | SENSORE porta + squadretta | Door sensor + spacer | |
| 523 | 0L2894 | Squadretta | Support | |
| 524 | 0L2895 | Termostato sicurezza | Safety thermostat | Qty 2 only for p,q,a9,b1,m6 |

Doc. Nr.: **595668W00**

Ed. **2012 - 05**
 Updated **2020 - 01**

Da Ser. Nr./ From Ser.nr.: **305...**

| Pos. | Cod. Ric. Part No. | Descrizione | Description | Note / Notes |
|------|--------------------|--|---|--|
| 525 | 049627 | Magnete | Magnet | |
| 526 | 0L2897 | Interfaccia utente | User interface | Up to Ser.No: 6391 |
| 526 | 0L3785 | Interfaccia utente | User interface | From Ser.No: 6401 |
| 527 | 0L2898 | Copertura interfaccia utente | User interface cover | |
| 528 | 0L2899 | Supporto | Support | |
| 529 | 049303 | Filtro RFI trifase | Trifase RFI filter | |
| 530 | 049901 | Filtro RFI monofase | Monofase RFI filter | |
| 531 | 0L2332 | Vite M2,9X9,5mm | Screw M2,9X9,5mm | |
| 590 | 0L3134 | Cablaggio | Wiring harness | a,b,h,i,n,o,r,a3,a4,b5,b6,c1,c2,c5,d4,d5,d6,d7,e2,e8,f1,f2,f5,f7,f8,g6,g7,h1,h4,m1,m2,m3,m4,m5 |
| 590 | 0L3057 | Cablaggio | Wiring harness | s,t,w,x,y,a1,b2,b3,c3,c6,c8,d3,d9,e1,e6,e7,f3,f9,h7,h8,h9,m7 |
| 590 | 0L3065 | Cablaggio | Wiring harness | c,z,a2,b4,b9,c4,c7,d2,f4,g8,g9,h6 |
| 590 | 0L3099 | Cablaggio | Wiring harness | u,v,a7,a8,c9,d1 |
| 590 | 0L2913 | Cablaggio | Wiring harness | u,v |
| 590 | 0L3147 | Cablaggio | Wiring harness | d,e,f,g,j,k,l,m,a5,a6,b7,b8,g1,g2,g3,g4,g5,h2,h3,h5 |
| 590 | 0TTZRH | Cablaggio | Wiring harness | s,t,w,x,e6,e7,m7 |
| 590 | 0L2905 | Cablaggio | Wiring harness | p,q,a9,b1,m6 |
| | | Pagina 7: Componenti versione automatica - Fino a 2019/48 | Page 7: Automatic version components - Up to 2019/48 | |
| 601 | 0L2918 | Guida superiore | Upper rail | s,t,u,v,w,x,e6,e7 - Up to 9481 |
| 602 | 0L2919 | Asta di sollevamento | Lifting rod | s,t,u,v,w,x,e6,e7 - Up to 9481 |
| 603 | 0L2921 | Camma destra | Right cam | s,t,u,v,w,x,e6,e7 - Up to 9481 |
| 604 | 0L2922 | Supporto micro | Micro switch support | s,t,u,v,w,x,e6,e7 - Up to 9481 |
| 605 | 0L2923 | Camma sinistra | Left cam | s,t,u,v,w,x,e6,e7 - Up to 9481 |
| 606 | 049770 | Guida cremagliera | Rack rail guide | s,t,u,v,w,x,e6,e7 - Up to 9481 |
| 607 | 049826 | Finecorsa inferiore | Lower driving gear | s,t,u,v,w,x,e6,e7 - Up to 9481 |
| 608 | 0L2924 | Cremagliera | Rack rail | s,t,u,v,w,x,e6,e7 - Up to 9481 |
| 609 | 0L0457 | Finecorsa superiore | Upper driving gear | s,t,u,v,w,x,e6,e7 - Up to 9481 |
| 610 | 0L3041 | Assieme supporti per automatica | Support assembly for automatic NHT | s,t,u,v,w,x,e6,e7 - Up to 9481 |
| 611 | 0L0456 | Microinterruttore | Micro switch | s,t,u,v,w,x,e6,e7 - see pos. 635 |
| 614 | 0L0665 | Motoriduttore | Gear motor | s,t,u,v,w,x,e6,e7 - see pos. 636 |
| 615 | 0L2927 | Supporto destro | Right support | s,t,u,v,w,x,e6,e7 - Up to 9481 |
| 616 | 049581 | Ingranaggio | Gear | s,t,u,v,w,x,e6,e7 - Up to 9481 |
| 617 | 0L2928 | Microinterruttore | Micro switch | s,t,u,v,w,x,e6,e7 - see pos. 625 |
| 618 | 0L2929 | Supporto cremagliera | Rack rail support | s,t,u,v,w,x,e6,e7 - Up to 9481 |
| | | Pagina 8: Componenti versione automatica - Da 2019/49 | Page 8: Automatic version components - From 2019/49 | |
| 619 | 0L4594 | Snodo sferico | Spherical junction | s,t,u,v,w,x,e6,e7,m7 - From 9491 |
| 620 | 0L4595 | Perno guida cremagliera | Rack rail fitting | s,t,u,v,w,x,e6,e7,m7 - From 9491 |
| 621 | 0L4593 | Supporto cremagliera | Rack rail support | s,t,u,v,w,x,e6,e7,m7 - From 9491 |

| Pos. | Cod. Ric. Part No. | Descrizione | Description | Note / Notes |
|------|--------------------|---|--|--|
| 622 | 0L4591 | Asta di sollevamento | Lifting rod | s,t,u,v,w,x,e6,e7,m7 - From 9491 |
| 623 | 0L4586 | Camma destra | Right cam | s,t,u,v,w,x,e6,e7,m7 - From 9491 |
| 624 | 0L4587 | Camma sinistra | Left cam | s,t,u,v,w,x,e6,e7,m7 - From 9491 |
| 625 | 0L2928 | Microinterruttore | Micro switch | s,t,u,v,w,x,e6,e7,m7 - From 9491 |
| 626 | 0L4588 | Fine corsa per cremagliera | Rack rail endpoint | s,t,u,v,w,x,e6,e7,m7 - From 9491 |
| 627 | 0L4585 | Squadretta asta | Rod support | s,t,u,v,w,x,e6,e7,m7 - From 9491 |
| 628 | 0L4589 | Cremagliera | Rack rail | s,t,u,v,w,x,e6,e7,m7 - From 9491 |
| 629 | 0L4590 | Pattino cremagliera | Rack rail skid | s,t,u,v,w,x,e6,e7,m7 - From 9491 |
| 630 | 0L4584 | Staffetta regolazione altezza motoriduttore | Gear motor adjustable support | s,t,u,v,w,x,e6,e7,m7 - From 9491 |
| 631 | 0L0676 | LING.DISCO 3*3.7 UNI6606-69 | LING.DISCO 3*3.7 UNI6606-69 | s,t,u,v,w,x,e6,e7,m7 - From 9491 |
| 632 | 0L4583 | Supporto motore | Motor support | s,t,u,v,w,x,e6,e7,m7 - From 9491 |
| 633 | 0L4592 | Assieme pignone | Pinion assembly | s,t,u,v,w,x,e6,e7,m7 - From 9491 |
| 634 | 0L4596 | Supporto sensore induttivo | Micro switch support | s,t,u,v,w,x,e6,e7,m7 - From 9491 |
| 635 | 0L0456 | Sensore induttivo | Sensor | s,t,u,v,w,x,e6,e7,m7 - From 9491 |
| 636 | 0L0665 | Motoriduttore | Gear motor | s,t,u,v,w,x,e6,e7,m7 - From 9491 |
| 637 | 0L4599 | Perno snodo sferico | Spherical junction fitting | s,t,u,v,w,x,e6,e7,m7 - From 9491 |
| | | Pagina 9: Componenti ESD | Page 9: ESD components | |
| | 0L3597 | Assieme completo ESD HT Manuale | Complete ESD assembly for Manual HT | y,z,b2,c6,c7,c8,d1,d9,e1,g8,h6,h7,h8,h9,m1,m2,m3,m4,m5 |
| | 0L3598 | Assieme completo ESD HT Automatica | Complete ESD assembly for Automatic HT | s,u,v,w,e7 |
| 701 | 0L2900 | Condensatore (1F 50/60HZ 400VAC) | Capacitor (1F 50/60HZ 400VAC) | s,u,v,y,z,b2,c6,c7,c8,d9,e1,e7,g8,h6,h7,h8,h9 |
| 702 | 0L2930 | Schermo di protezione | Protective shield | Up to Ser.Nr: 4241 s,u,v,y,z,b2,c6,c7,c8,d9,e1 |
| 702 | 0L3348 | Schermo di protezione | Protective shield | From Ser.Nr: 4251 Up to Ser.Nr: 9491 s,u,v,w,y,z,b2,c6,c7,c8,d1,d9,e1,e7,g8,h6,h7,h8,h9,m1,m2,m3,m4,m5 |
| 702 | 0L4575 | Schermo di protezione | protective shield | From Ser.Nr: 9501 s,u,v,w,y,z,b2,c6,c7,c8,d1,d9,e1,e7,g8,h6,h7,h8,h9,m1,m2,m3,m4,m5 |
| 703 | 0L2931 | Vite M5x12 TSC | Screw M5x12 TSC | Up to Ser. Nr: 5141 s,u,v,y,z,b2,c6,c7,c8,d9,e1 |
| 704 | 0L2932 | Coperchio | Cover | Up to Ser.Nr: 4241 s,u,v,y,z,b2,c6,c7,c8,d9,e1 |
| 704 | 0L3349 | Coperchio | Cover | From Ser.Nr: 4251 s,u,v,y,z,b2,c6,c7,c8,d9,e1,e7,g8,h6,h7,h8,h9,m1,m2,m3,m4,m5 |
| 705 | 0TH068 | Dado M5 | Nut M5 | Up to Ser. Nr: 5141 s,u,v,y,z,b2,c6,c7,c8,d9,e1 |
| 706 | 0L4415 | Isolante ventola | Insulating fan | s,u,v,w,y,z,b2,c6,c7,c8,c9,d1,d9,e1,e7,g8,h6,h7,h8,h9,m1,m2,m3,m4,m5 |
| 707 | 0L2934 | Scatola condensatori | Capacitors box | s,u,v,w,y,z,b2,c6,c7,c8,c9,d1,d9,e1,e7,g8,h6,h7,h8,h9,m1,m2,m3,m4,m5 |

LAVASTOVIGLIE CAPPOTTINA ZHT/NHT/ET12
HOOD TYPE DISHWASHER ZHT/NHT/ET12

Grassetto = variazioni
 Bold Print = changes

| Pos. | Cod. Ric. Part No. | Descrizione | Description | Note / Notes |
|-----------------------------------|--------------------|---|----------------------|---|
| 708 | 0TH080 | Passacavo | Cable gland | s,u,v,w,y,z,b2,c6,c7,c8,c9,d1,d9,e1,e7,g8,h6,h7,h8,h9,m1,m2,m3,m4,m5 |
| 709 | 0L2935 | Supporto ventilatori | Fans support | s,u,v,w,y,z,b2,c6,c7,c8,c9,d1,d9,e1,e7,g8,h6,h7,h8,h9,m1,m2,m3,m4,m5 |
| 710 | 0L2936 | Ventilatore | Fan | s,u,v,w,y,z,b2,c6,c7,c8,c9,d1,d9,e1,e7,g8,h6,h7,h8,h9,m1,m2,m3,m4,m5 |
| 711 | 0L2937 | Supporto connettori | Connectors support | s,u,v,w,y,z,b2,c6,c7,c8,c9,d1,d9,e1,e7,g8,h6,h7,h8,h9,m1,m2,m3,m4,m5 |
| 712 | 0L2938 | Assieme convogliazione | Conveyor assembly | s,u,v,w,y,z,b2,c6,c7,c8,c9,d1,d9,e1,e7,g8,h6,h7,h8,h9,m1,m2,m3,m4,m5 |
| 713 | 0L2939 | Convogliatore | Conveyor | s,u,v,w,y,z,b2,c6,c7,c8,c9,d1,d9,e1,e7,g8,h6,h7,h8,h9,m1,m2,m3,m4,m5 |
| 714 | 0L2940 | Collettore aspirazione | Suction header | s,u,v,w,y,z,b2,c6,c7,c8,c9,d1,d9,e1,e7,g8,h6,h7,h8,h9,m1,m2,m3,m4,m5 |
| 715 | 0L2941 | Guarnizione | Gasket | s,u,v,w,y,z,b2,c6,c7,c8,c9,d1,d9,e1,e7,g8,h6,h7,h8,h9,m1,m2,m3,m4,m5 |
| 716 | 0L2942 | Pannello isolante | Protection panel | s,u,v,w,y,z,b2,c6,c7,c8,c9,d1,d9,e1,e7,g8,h6,h7,h8,h9,m1,m2,m3,m4,m5 |
| 717 | 0L2943 | Paraspruzzi | Spashguard | s,u,v,w,e7 |
| 717 | 0L2944 | Paraspruzzi | Spashguard | y,z,b2,c6,c7,c8,d9,e1,g8,h6,h7,h8,h9,m1,m2,m3,m4,m5 |
| 718 | 0L2945 | Pannello di chiusura | Closing panel | s,u,v,y,z,b2,c6,c7,c8,d9,e1,e7,g8,h6,h7,h8,h9,m1,m2,m3,m4,m5 |
| 719 | 0C3539 | Vite M5x12 TTL | Screw M5x12 TTL | s,u,v,y,z,b2,c6,c7,c8,d9,e1,e7,g8,h5,h6,h7,h8,h9,m1,m2,m3,m4,m5 |
| 720 | 0L2947 | Scambiatore | Exchanger | Up to Ser. Nr: 5141 s,u,v,y,z,b2,c6,c7,c8,d9,e1 |
| 720 | 0L3614 | Scambiatore | Exchanger | From Ser. Nr: 5151 s,u,v,y,z,b2,c6,c7,c8,d9,e1,e7,g8,h7,h8,h9,m1,m2,m3,m4,m5 |
| 721 | 0C5309 | Dado M5 | Nut M5 | s,u,v,y,z,b2,c6,c7,c8,d9,e1,e7,h7,h8,h9,m1,m2,m3,m4,m5 |
| 722 | 0L2848 | Boccaglio ventilatore | Fan nozzle | s,u,v,y,z,b2,c6,c7,c8,d9,e1,e7,g8,h7,h8,h9,m1,m2,m3,m4,m5 |
| 723 | 0L3613 | Tampone con passacavo | Pad with cable gland | From Ser. Nr: 5151 |
| 724 | 0TTZY0 | Boccaglio ESD con deflettori | | |
| 725 | 0L4435 | Copertura frontale ESD | ESD front panel | For manual NHT - x,y,c6,c7,c8,c9,d1,d9,e1,h6,h7,h8,h9,g8 |
| PREVENTIVE MAINTENANCE KIT | | | | |
| Doc. Nr.: 595668W00 | | Ed. 2012 - 05 Updated 2020 - 01 | | Da Ser. Nr./ From Ser.nr.: 305... |

| Pos. | Cod. Ric. Part No. | Descrizione | Description | Note / Notes |
|------|--------------------|---|---|---|
| | 0L4325 | KIT manutenzione preventiva 1 anno: 049418 049460 049480 0L2359 | Preventive Maintenance KIT, HT8, 1st year: 049418 049460 049480 0L2359 | b,d,e,f,g,i,j,k,l,m,n,o,p,q,r,s,t,w,x,a4,a5,a6,a9,b1,b6,b7,b8,c2,d4,d5,d6,e2,e4,e5,e8,e9,g2,g3,g4,g5,f1,f5,f6,f7, h2,h3 |
| | 0L4326 | KIT manutenzione preventiva 3 anni: 049418 049460 049480 049828 049894 0L2303 0L2359 0L2874 0S2285 | Preventive Maintenance KIT, HT8, 3rd year: 049418 049460 049480 049828 049894 0L2303 0L2359 0L2874 0S2285 | b,d,e,f,g,i,j,k,l,m,n,o,p,q,r,s,t,w,x,a4,a5,a6,a9,b1,b6,b7,b8,c2,d4,d5,d6,e2,e4,e5,e8,e9,g2,g3,g4,g5,f1,f5,f6,f7,h3,h3 |
| | 0L4327 | KIT manutenzione preventiva 1 anno: 049418 049419 049460 049480 0L2359 | Preventive Maintenance KIT, HT8G, 1st year: 049418 049419 049460 049480 0L2359 | a,c,h,u,v,y,z,a1,a2,a3,a7,a8,b2,b3,b4,b5,b9,c1,c3,c4,c5,c6,c7,c8,c9,d1,d2,d3,d7,d8,d9,e1,e3,e6,e7,g1,g6,g7,f2,f3,f4,f8,f9,g8,g9,h1,h4,h5,h6,h7,h8,h9,m7 |
| | 0L4328 | KIT manutenzione preventiva 3 anni: 049418 049419 049460 049480 049828 049894 0L2303 0L2359 0L2729 0L2841 0L2874 0S1986 0S2285 | Preventive Maintenance KIT, HT8G, 3rd year: 049418 049419 049460 049480 049828 049894 0L2303 0L2359 0L2729 0L2841 0L2874 0S1986 0S2285 | a,c,h,u,v,y,z,a1,a2,a3,a7,a8,b2,b3,b4,b5,b9,c1,c3,c4,c5,c6,c7,c8,c9,d1,d2,d3,d7,d8,d9,e1,e3,e6,e7,g1,g6,g7,f2,f3,f4,f8,f9,g8,g9,h1,h4,h5,h6,h7,h8,h9,m7 |

